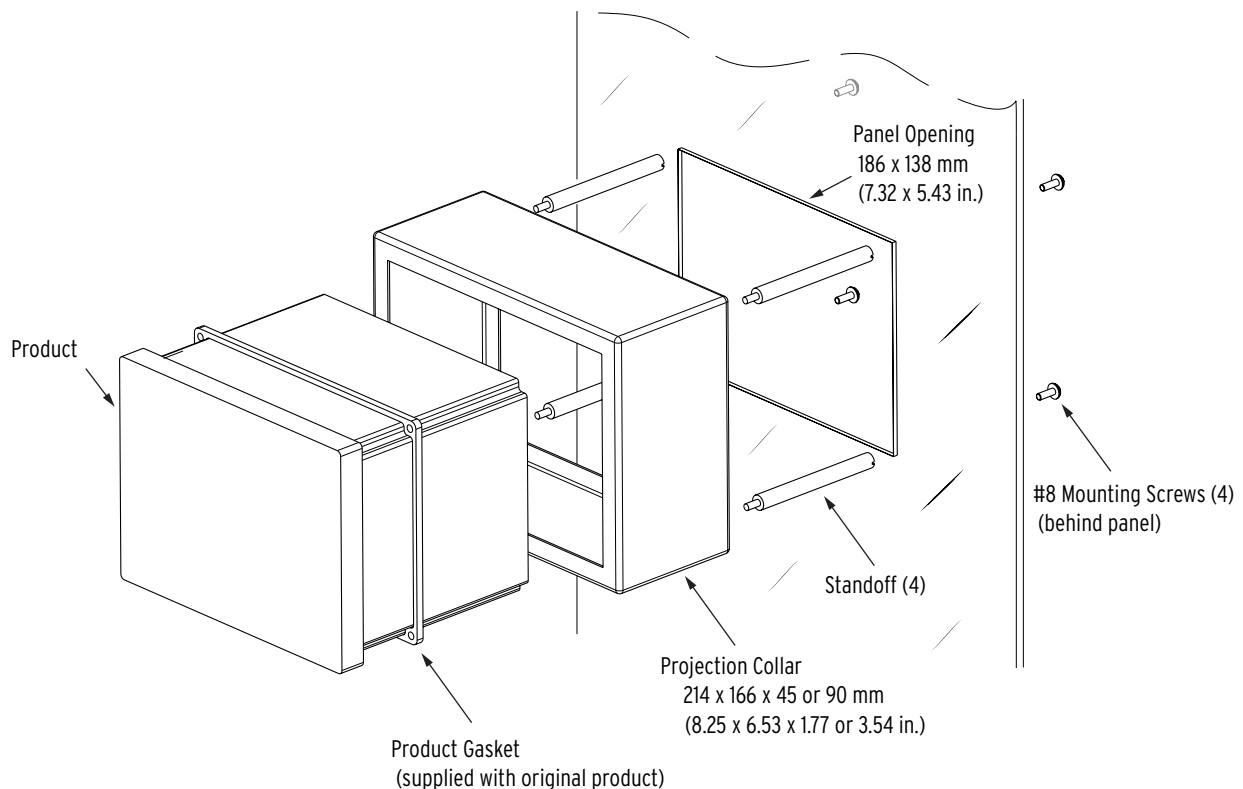




915900028/915900029 Projection Collars

Gain Rear-Panel Clearance and Wire-Routing Space With SEL Projection Collars



Features and Benefits

- Reduce internal mounting depth to:
 - 105 mm (using 45 mm collar 915900028)
 - 60 mm (using 90 mm collar 915900029)
- Resist dust and moisture with protection to IP54
- Maintain professional appearance
- Maintain operator safety by covering rough edges along the panel cutout
- Install easily using the hardware and gasket provided

Application Guide

Use projection collars 915900028 and 915900029 with the following SEL products:

- All SEL-700 series relays, except the SEL-701, (SEL-749M, SEL-751, etc.)
- SEL-734 Meter
- SEL-2410 and SEL-2411 I/O Processors

Installation

Required tools:

- Flat-blade (or “straight”) screwdriver
- Phillips (or “plus”) screwdriver

Step 1. Position the product (front) gasket around the front-panel lip of the product.

The product gasket is supplied with the original product.

Step 2. Slide the projection collar onto the product and seat it against the gasket.

Step 3. Fasten the projection collar to the product with the standoffs in each of the four corners of the collar.

Be sure that the product (front) gasket compresses evenly. The tightening torque is 1.4-2.0 Nm (12-18 in-lb.).

Step 4. Attach the product/projection collar assembly to the pre-cut panel (see *Figure 1*) with 8-32 UNF screws.

Be sure that the projection collar (rear) gasket compresses evenly. The tightening torque is slightly less than 1.4-2.0 Nm (12-18 in-lb.).

Note: The tightening torque for the #8 screws should be equal to or less than the standoff tightening torque.

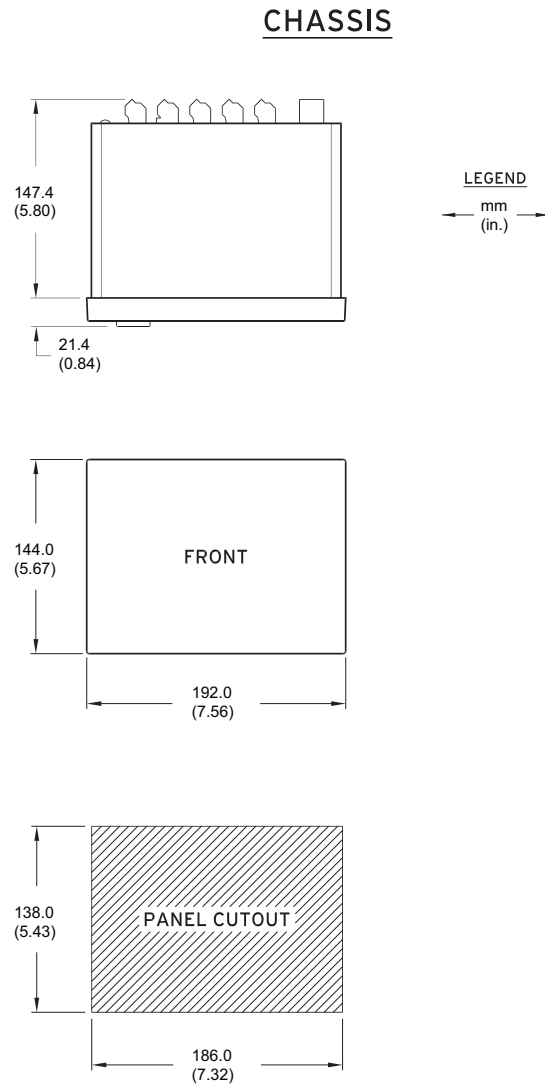


Figure 1 Panel Cut-and-Drill Diagram

Factory Assistance

We appreciate your interest in SEL and SEL Industrial Solutions Group products and services. If you have questions or comments please contact us at:

Industrial Solutions Group
Schweitzer Engineering Laboratories
130 Seaboard Lane, Suite A7
Franklin, TN 37067 USA

Phone: (615) 507-2184
Fax: (615) 507-2188
Internet: www.selindustrial.com
Email: info@selindustrial.com

All brand or product names appearing in this document are the trademark or registered trademark of their respective holders. U.S. and Foreign Patents Pending.

ACSELEATOR, Connectorized, CONSELTANT, Job Done, MIRRORRED BITS, Schweitzer Engineering Laboratories, SEL, SELOGIC, and SEL-PROFILE are registered trademarks of Schweitzer Engineering Laboratories.

Copyright © 2005 SEL (All rights reserved).

Date Code 20050204

PM915900028

SCHWEITZER ENGINEERING LABORATORIES

2350 NE Hopkins Court • Pullman, WA 99163-5603 USA
Phone: (509) 332-1890 • Fax: (509) 332-7990
Internet: www.selinc.com • E-mail: info@selinc.com

