



SEL-501 Dual Universal Overcurrent Relay



Major Features and Benefits

- Features two three-phase, current-based relays in one complete package.
- Protects feeders, buses, transformers, motors, breakers, and other apparatus.
- Is easily set from the front panel or communications port.
- Includes metering, self-testing, alarm, and event reporting.
- Saves two full reports and twenty summaries in nonvolatile memory.
- Makes redundant protection practical—ideal for stacked breaker switchgear.
- Includes low-level test interface.
- Supports ASCII, SEL LMD, Modbus[®], and Square-D SY/MAX protocol.

Features

Dual Relay Concept

The SEL-501 Dual Universal Overcurrent Relay provides two complete and independent groups of protection functions in one compact unit. The unit contains Relay X and Relay Y, each having separate optoisolated inputs, output contacts, and three-phase current inputs.

Table 1 Relay I/O and Current Inputs

	Input	Output Contacts	Current Inputs
Relay X	XIN	XOUT1, XOUT2	IAX, IBX, ICX
Relay Y	YIN	YOUT1, YOUT2	IAY, IBY, ICY

Five Relay Functions

Select the relay functions independently for Relays X and Y. Choose from five relay functions.

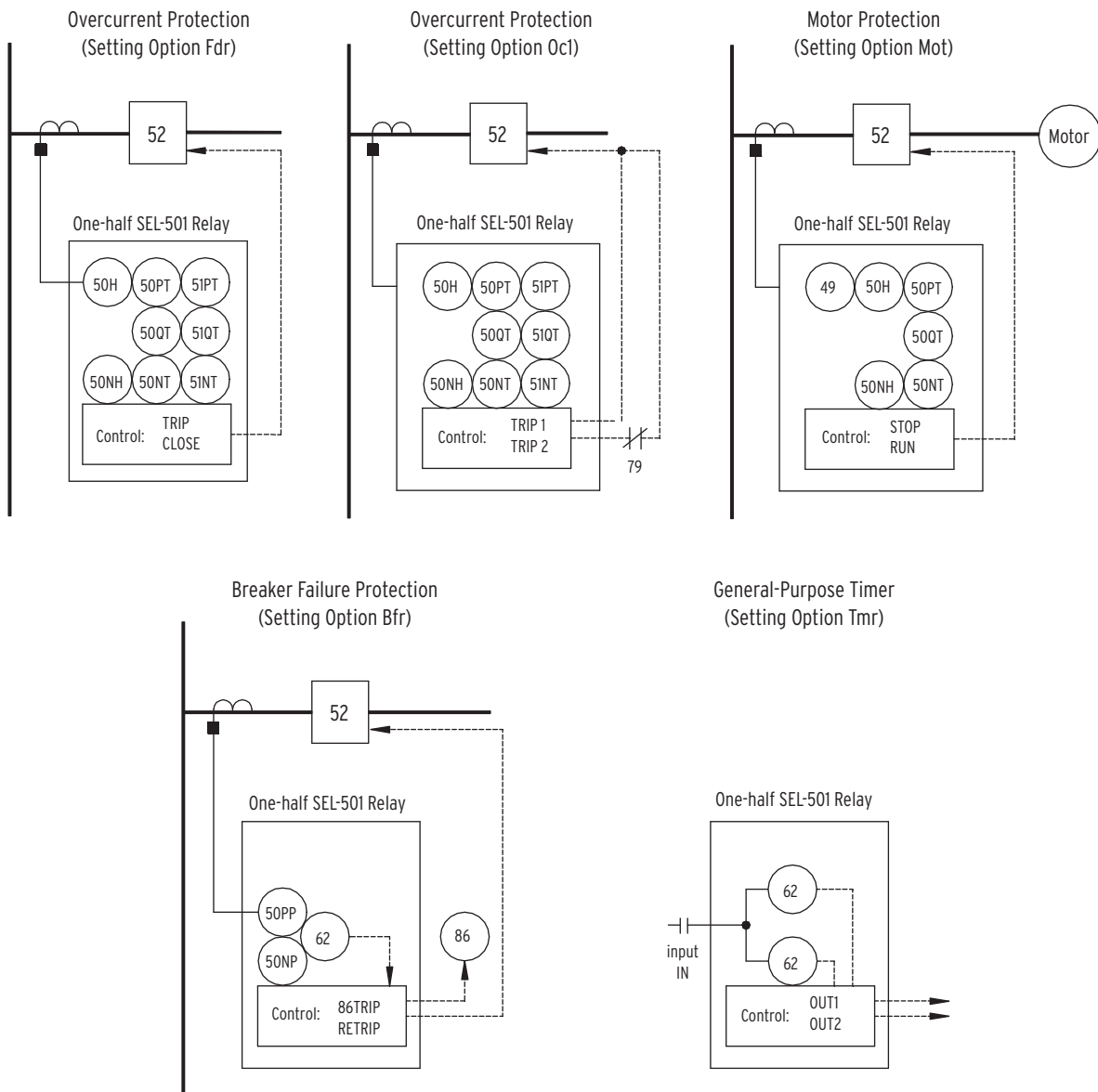


Figure 1 Relay Application Single-Line Diagrams

SEL-501 Dual Relay Applications

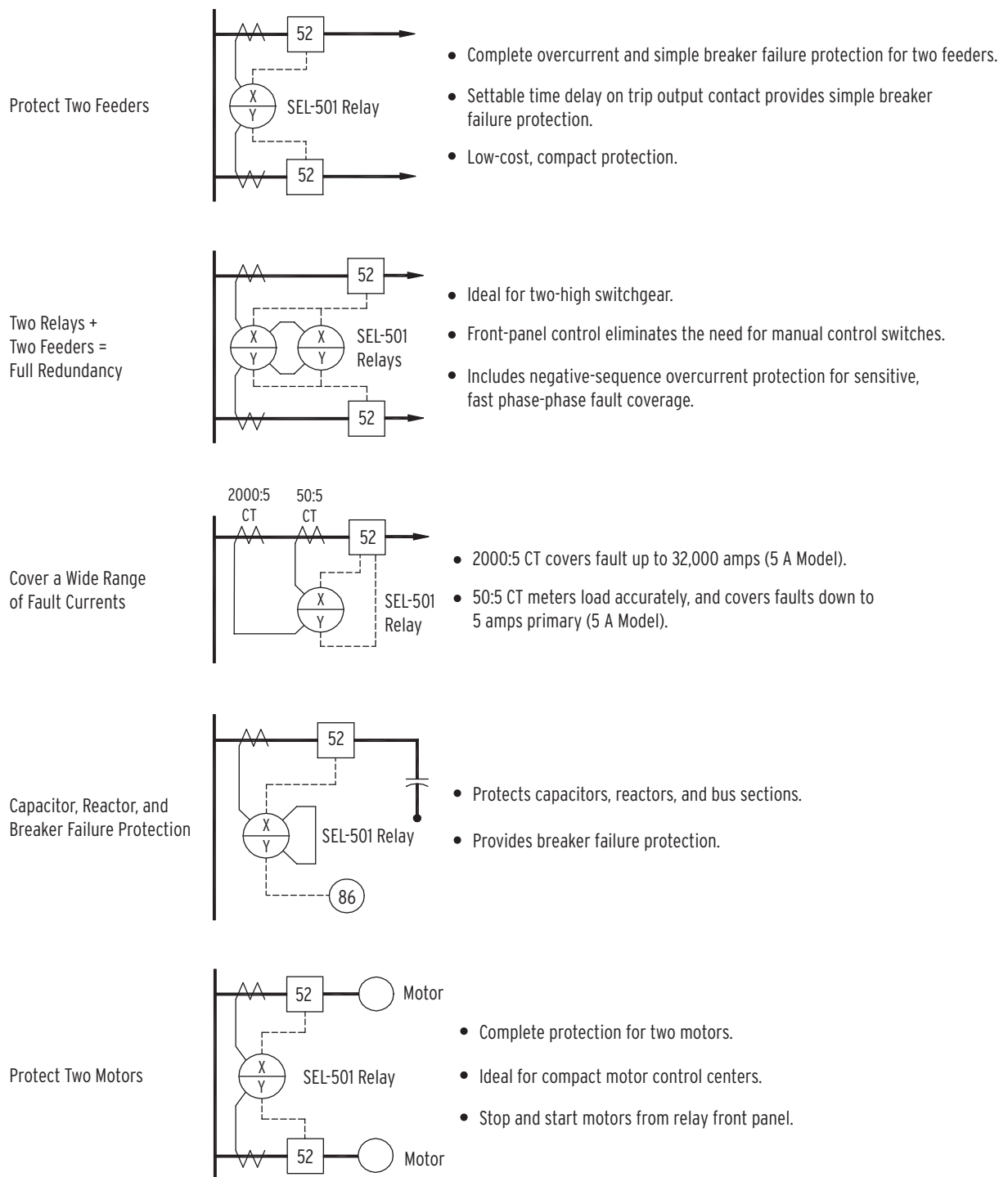


Figure 2 Example SEL-501 Dual Relay Applications

Overcurrent Protection

The SEL-501 has two overcurrent protection setting options: FDR or OC1. Both options use the same overcurrent elements, but differ in input and output contact functions.

Table 2 Overcurrent Settings and Ranges

Eight Overcurrent Elements	Instantaneous	Definite-Time	Inverse-Time
Phase (Ia, Ib, and Ic)	50H	50PT	51PT
Negative-Sequence ($I_Q = 3 \cdot I_2$)		50QT	51QT
Residual ($I_R = I_a + I_b + I_c$)	50NH	50NT	51NT
Ranges (A secondary)			
5 A Model:	0.5–80 A, 0.1 step	0.5–80 A, 0.1 step	0.5–16 A, 0.1 step
1 A Model:	0.1–16 A, 0.1 step	0.1–16 A, 0.1 step	0.1–3.2 A, 0.1 step
Definite-Time Delay		0–16,000 cycles	US and IEC curves

Table 3 Overcurrent Contact Functions

Setting	Input	Output Contacts
FDR	52A	TRIP (OUT1)—select any elements CLOSE (OUT2)
OC1	Programmable—select one EN—Enable user-selected elements BLK—Block user-selected elements ET—External Trigger of event reports	Both trips have time-delay pickup timers, settable 0–16,000 cycles. TRIP1 (OUT1)—select any elements TRIP1 (OUT2)—select any elements

Motor Protection

Table 4 Motor Protection Settings and Ranges

Elements	Instantaneous	Definite-Time
Phase (Ia, Ib, and Ic)	50H	50PT
Negative-Sequence ($I_Q = 3 \cdot I_2$)		50QT
Residual ($I_R = I_a + I_b + I_c$)	50NH	50NT
Ranges (A secondary)		
5 A Model:	0.5–80 A	0.5–80 A
1 A Model:	0.1–16 A	0.1–16 A
Definite-Time Delay		0–16,000 cycles

Thermal Model (49) provides locked-rotor, unbalance and overload protection.

Motor operation monitors include load-jam trip, load-loss trip, and a starts per-hour limit.

Input	Output Contacts
52A	TRIP (OUT1) CLOSE (OUT2)

Breaker Failure Protection

Table 5 Breaker Failure Protection Settings and Ranges

Instantaneous Overcurrent Elements		Breaker Failure Timer (62FC)
Phase (Ia, Ib, and Ic)	50PP	0.25–63.75 cycles
Residual (IR = Ia + Ib + Ic)	50NP	
Ranges (A secondary)		Breaker Retrip Timer (62FC)
5 A Model:	0.5–80 A	0–63.75 cycles
1 A Model:	0.1–16 A	
Maximum Reset Time	0.75 cycles	
Input	Output Contacts	
BFI—Breaker Failure Initiate	86TR—Breaker Failure Trip (OUT1)	
	RETRIP—Breaker Retrip (OUT2)	

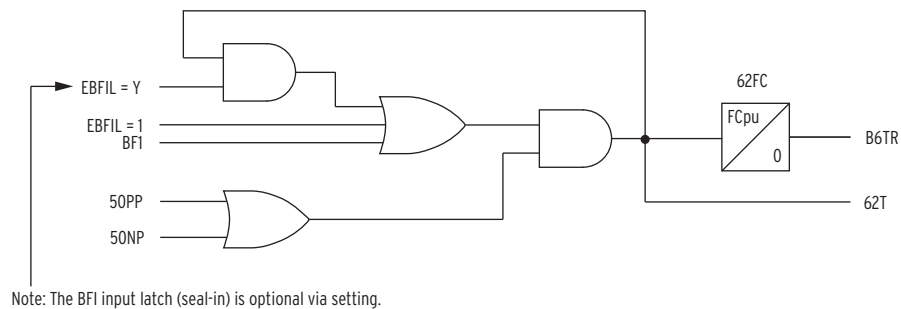


Figure 3 SEL-501 Relay Breaker Failure Logic

General-Purpose Timer

Timer Ranges (62 Device)

Pickup: 0–16,000 cycles

Dropout: 0–16,000 cycles

The timers are completely independent of the relay current inputs.

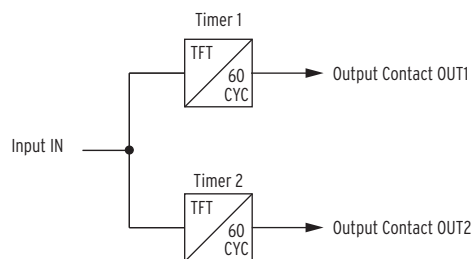


Figure 4 SEL-501 Relay General-Purpose Timer

Operation, Metering, and Communications

- Complete operation from front-panel controls or rear-panel serial port.
- Full access to event history, relay status, and meter information.
- Instantaneous, demand, and peak demand currents metered.
- Settings and control have passcode protection.
- One serial port for two relays cuts communications burden in half.
- Modbus RTU protocol supports direct integration, via appropriate gateways, into SCADA or DCS systems.

Event Reporting

- Relay stores twelve reports: newest two are in non-volatile memory.
- Reports have fifteen-cycle duration and quarter-cycle resolution.
- Unique event headers for each application.

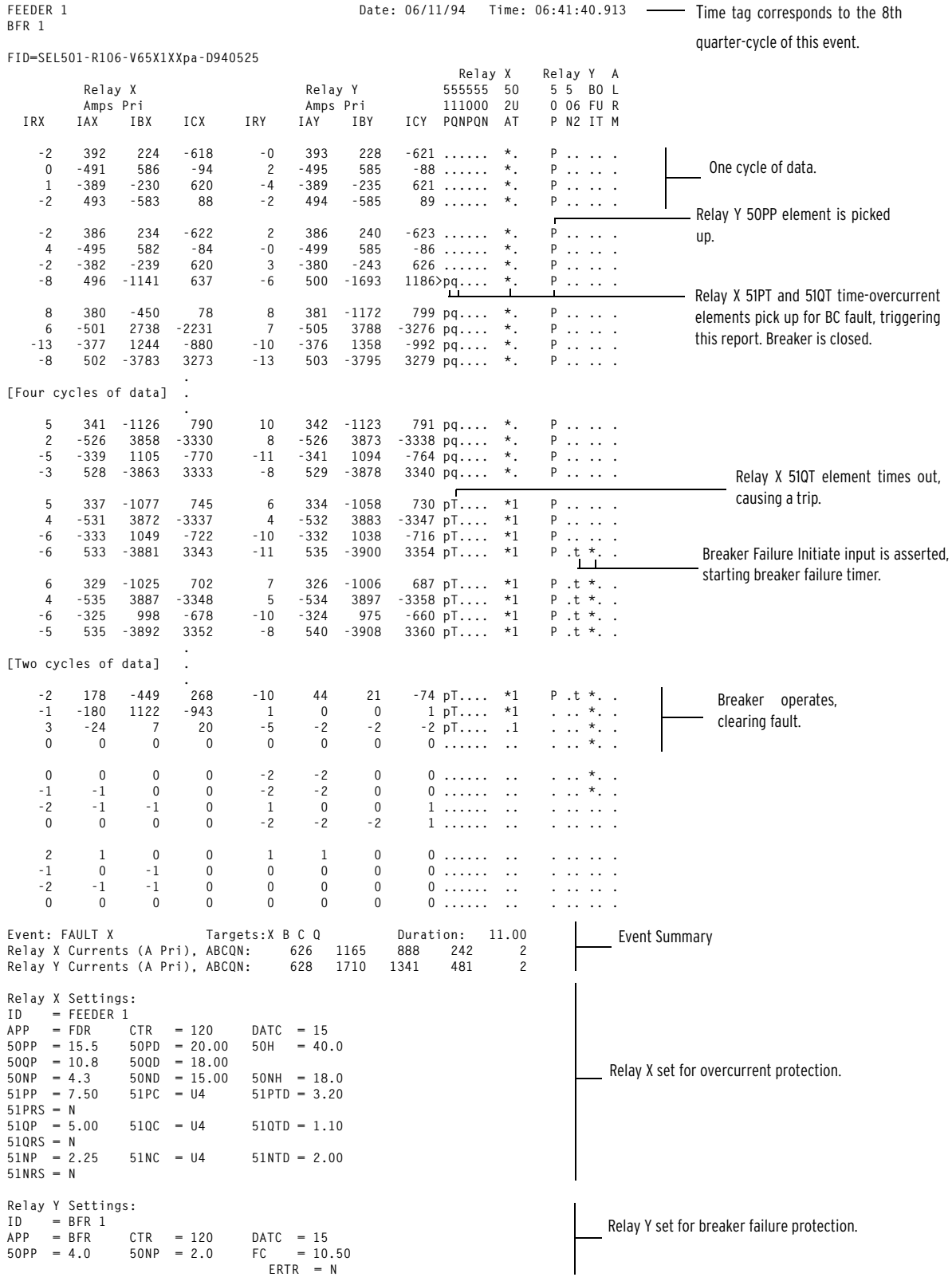
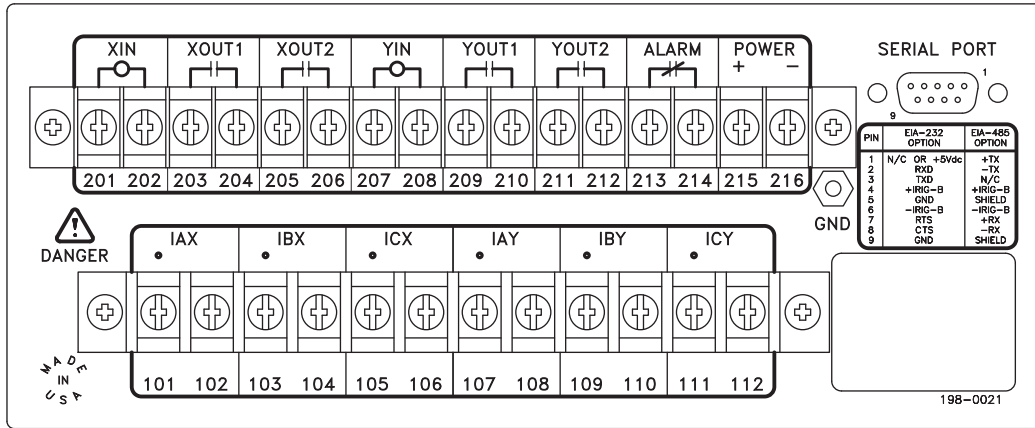


Figure 5 Example Event Report

Two Rear-Panel Options

Conventional Terminal Blocks



i3031a

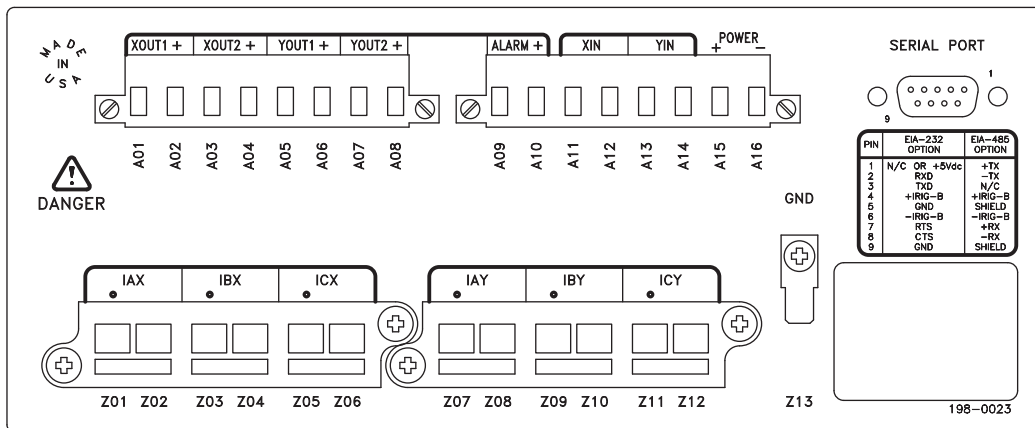
Figure 6 SEL-501 Relay Rear Panel (Conventional Terminal Block Option)

Output contacts XOUT1, XOUT2, YOUT1, YOUT2, and ALARM are not polarity dependent.

Optoisolated inputs XIN and YIN are not polarity dependent.

All screws are size #6-32.

Connectorized Relay (Plug-In Connectors)



i3034a

Figure 7 SEL-501 Relay Rear Panel (Plug-In Connectors Option)

Important: Improvements in Connectorized[®] SEL-501 relays (Plug-In Connectors) resulted in part number changes.

Old	New
0501xJ	0501xW

The current transformer shorting connectors for current channel inputs IAX, IBX, ICX, and IAY, IBY, ICY have been made more robust. This improvement makes the new connector design incompatible with the old design. Thus, new Connectorized SEL-501 relays with this improved connector have a new part number (partial part numbers shown):

The respective wiring harness part numbers for these old and new Connectorized SEL-501 relays are (partial part numbers shown):

Old	New
WA0501xJ	WA0501xW

Figure 7 shows the rear panel for new models 0501xW. Because all terminal/numbering remains the same between the new and old relays, these figures can also be used as a reference for old model 0501xJ. Only the connectors and part numbers have changed.

Connector terminals **A01–A16** accept wire size AWG 24 to 12 (install wires with a small slotted screwdriver).

Output contacts **XOUT1**, **XOUT2**, **YOUT1**, **YOUT2**, and **ALARM** are polarity dependent (note the + above terminal **A02**, **A04**, **A06**, **A08**, and **A10**).

See *Specifications on page 14* for high current interrupting output contact ratings.

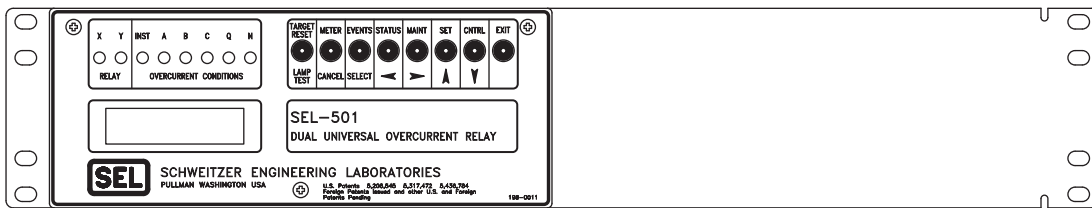
Optoisolated inputs **XIN** and **YIN** are not polarity dependent.

Current input connector (terminals **Z01–Z12**):

- ▶ Contains current transformer shorting mechanisms
- ▶ Accepts wire size AWG 16 to 10 (special tool required to attach wire to connector)
- ▶ Can be ordered prewired

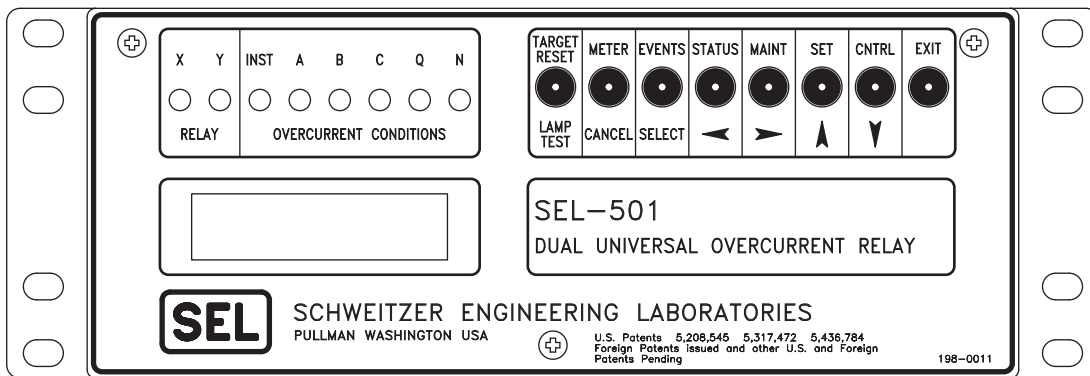
Ground connection (terminal **Z13**): tab size 0.250 inch • 0.032 inch, screw size #6-32.

Front- and Rear-Panel Diagrams



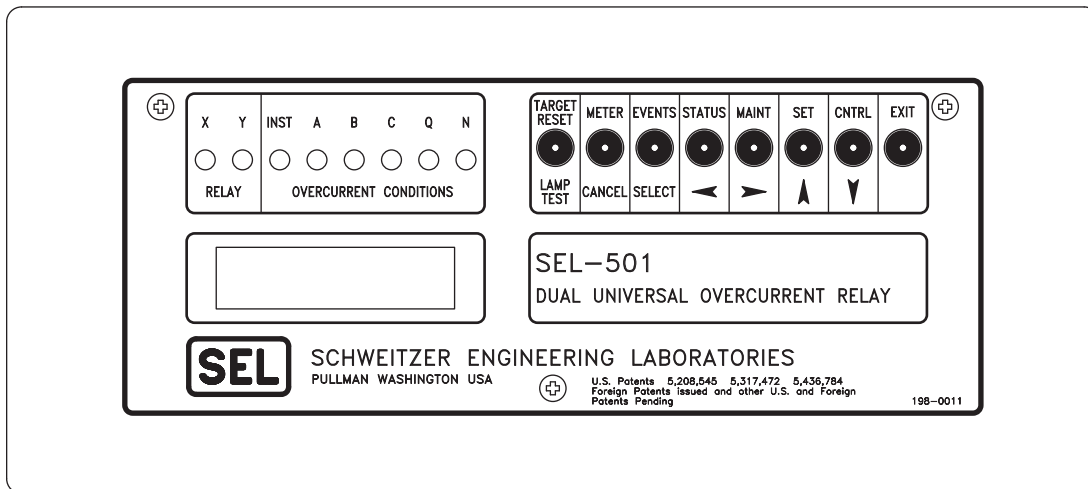
SEL-501 Relay Fitted With Mounting Bracket (SEL P/N 9100) for Mounting in 19-Inch Rack

i3032a



SEL-501 Relay Front Panel, Rack-Mount Version (Half-Rack Width)

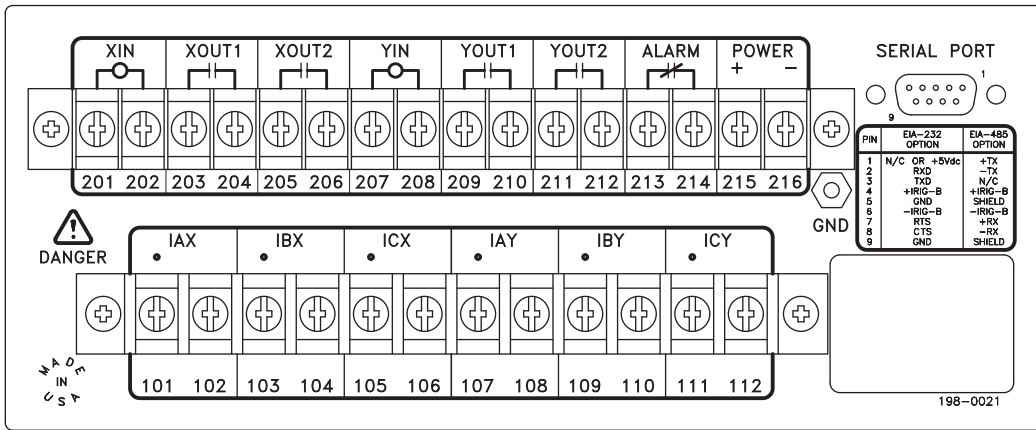
i3139a



SEL-501 Relay Front Panel, Panel-Mount Version

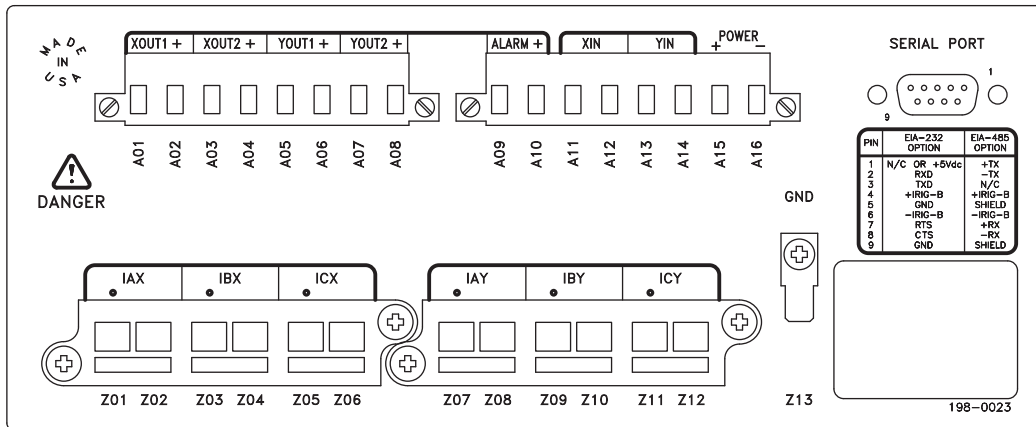
i3028a

Figure 8 SEL-501 Front Panels



i3031a

SEL-501 Relay Rear Panel (Conventional Terminal Blocks Option)

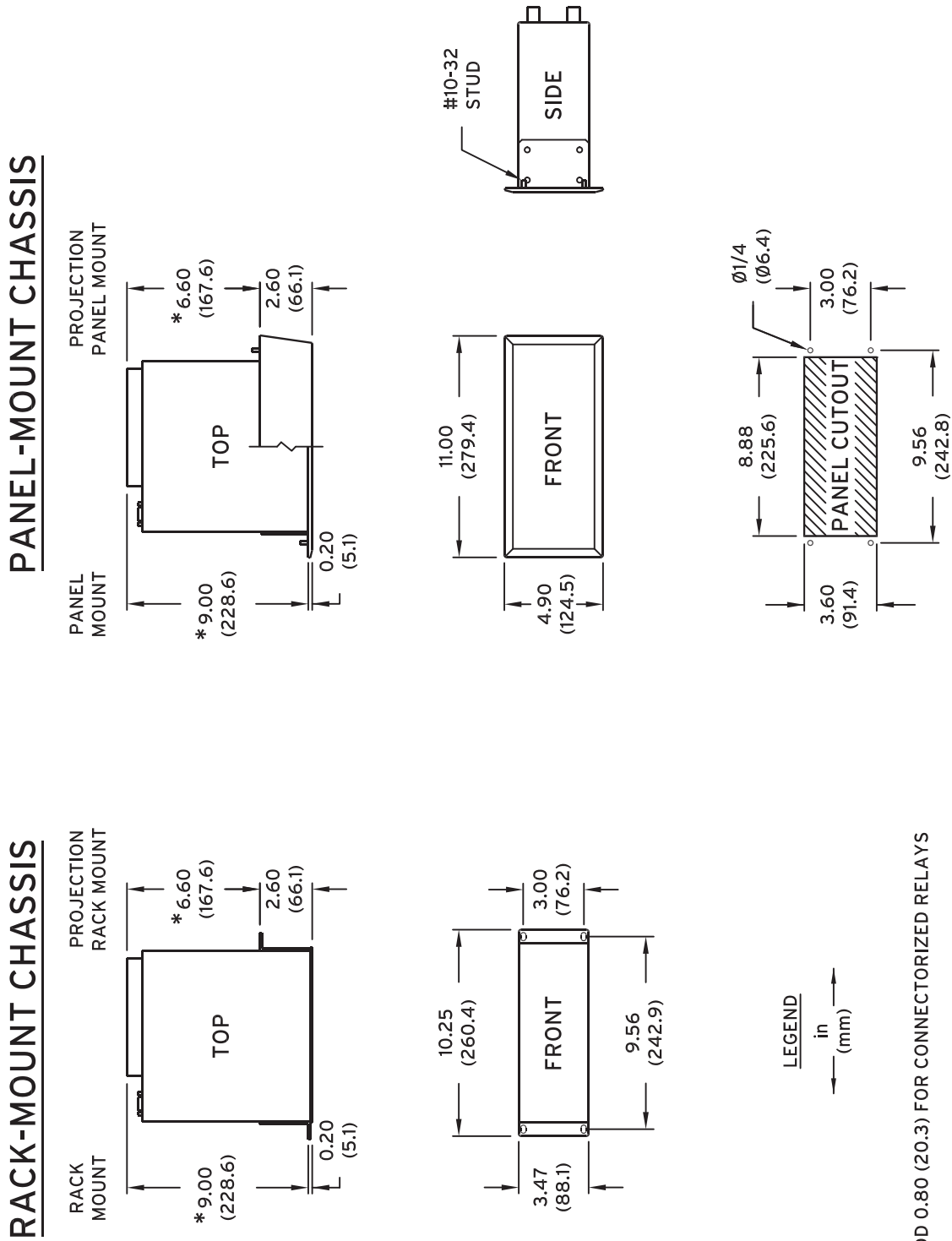


i3034a

SEL-501 Relay Rear Panel (Plug-In Connectors Option)

Figure 9 SEL-501 Rear-Panel Diagrams

Relay Dimensions

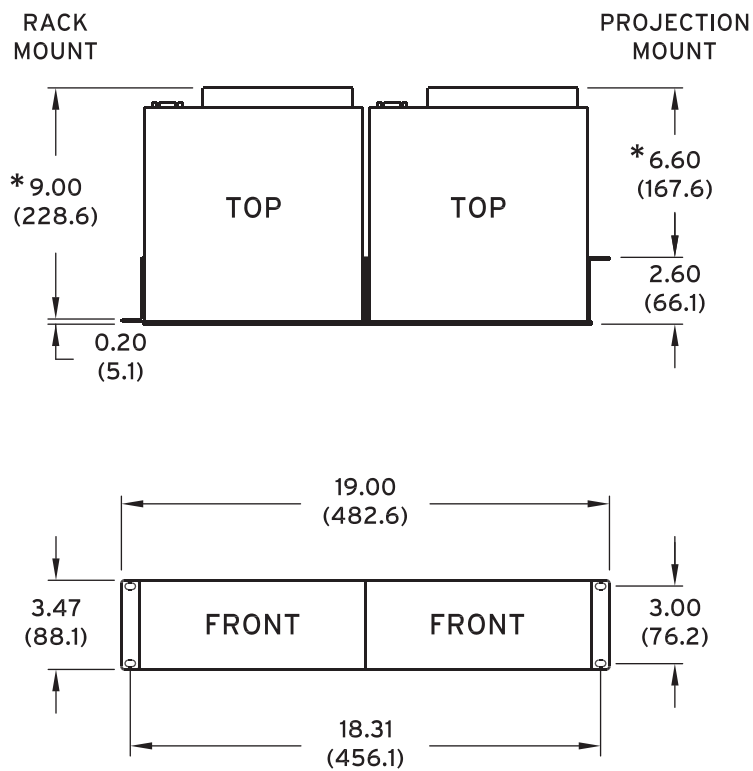


i9011b

* ADD 0.80 (20.3) FOR CONNECTORIZED RELAYS

Figure 10 SEL-501 Dimensions and Drill Plan for Single Rack-Mounted Relay

RACK-MOUNT CHASSIS



LEGEND

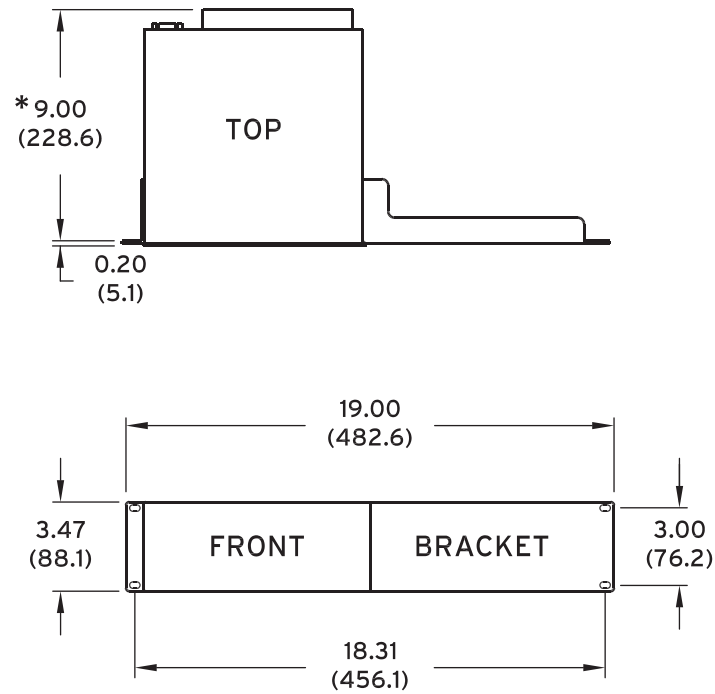
in
← (mm) →

* ADD 0.80 (20.3) FOR CONNECTORIZED RELAYS

i9024b

Figure 11 Relay Dimensions and Drill Plan for Mounting Two SEL-500 Series Relays Together Using Mounting Block (SEL P/N 9101)

RACK-MOUNT CHASSIS



LEGEND

in
← (mm) →

* ADD 0.80 (20.3) FOR CONNECTORIZED RELAYS

i9028a

Figure 12 Relay Dimensions and Drill Plan for Mounting an SEL-501 Relay with Rack Mount Bracket 9100 (bracket on right side front view)

Specifications

Compliance

Designed and manufactured under an ISO 9001 certified quality management system

UL Listed to US and Canadian safety standards (File E212775; NRGU, NRGU7)

CE Mark

RCM Mark

General

Terminal Connections

Terminals or stranded copper wire. Ring terminals are recommended. Minimum temperature rating of 105°C.

Tightening Torque

Terminal Block

Minimum:	1.1 Nm (9-in-lb)
Maximum:	1.3 Nm (12-in-lb)

Connectorized

Minimum:	0.6 Nm (5-in-lb)
Maximum:	0.8 Nm (7-in-lb)

AC Current Inputs

5 A nominal: 15 A continuous, 500 A for 1 s, linear to 100 A symmetrical. 625 A for 1 cycle (sinusoidal waveform)

Burden: 0.16 VA at 5 A
1.15 VA at 15 A

1 A nominal: 3 A continuous, 100 A for 1 s, linear to 20 A symmetrical. 250 A for 1 cycle (sinusoidal waveform)

Burden: 0.06 VA at 1 A
0.18 VA at 3 A

Note: 60/50 Hz system frequency and ABC/ACB phase rotation are ordering options.

Power Supply

125/250 Vdc or Vac

Range:	85–350 Vdc or 85–264 Vac
Burden:	<5.5 W
Interruption:	100 ms at 250 Vdc
Ripple:	100%

48/125 Vdc or 125 Vac

Range:	36–200 Vdc or 85–140 Vac
Burden:	<5.5 W
Interruption:	100 ms at 125 Vdc
Ripple:	5%

24 Vdc

Range:	16–36 Vdc polarity dependent
Burden:	<5.5 W
Interruption:	25 ms at 36 Vdc
Ripple:	5%

Note: Interruption and Ripple per IEC 60255-11[IEC 255-11]:1979.

Output Contacts

The output type is dependent on the rear-panel terminal type. Output ratings were determined with IEC 60255-0-20:1974, using the simplified method of assessment.

Standard (Conventional Terminal Block Option)

Make:	30 A
Carry:	6 A continuous carry
1 s Rating:	100 A
MOV Protection:	270 Vac/360 Vdc
Pickup Time:	<5 ms
Dropout Time:	<5 ms

Breaking Capacity (10000 operations):

24 V	0.75 A	L/R = 40 ms
48 V	0.50 A	L/R = 40 ms
125 V	0.30 A	L/R = 40 ms
250 V	0.20 A	L/R = 40 ms

Cyclic Capacity (2.5 cycle/second):

24 V	0.75 A	L/R = 40 ms
48 V	0.50 A	L/R = 40 ms
125 V	0.30 A	L/R = 40 ms
250 V	0.20 A	L/R = 40 ms

High Current Interrupting (Plug-In Connectors Option)

Make:	30 A
Carry:	6 A continuous carry
MOV Protection:	330 Vdc
Pickup Time:	<5 ms
Dropout Time:	<8 ms, typical
Update Rate:	1/8 cycle

Breaking Capacity (10000 operations):

24 V	10.0 A	L/R = 40 ms
48 V	10.0 A	L/R = 40 ms
125 V	10.0 A	L/R = 40 ms
250 V	10.0 A	L/R = 20 ms

Cyclic Capacity (4 cycles in 1 second followed by 2 minutes idle for thermal dissipation):

24 V	10.0 A	L/R = 40 ms
48 V	10.0 A	L/R = 40 ms
125 V	10.0 A	L/R = 40 ms
250 V	10.0 A	L/R = 20 ms

Note: Do not use high-current interrupting output contacts to switch ac control signals. These outputs are polarity dependent.

Note: Make per IEEE C37.90-1989; Breaking and Cyclic Capacity per IEC 60255-23 [IEC 255-23]:1994.

Optoisolated Inputs

The input type is dependent on the rear-panel terminal type. "Level-sensitive" inputs differ from "standard" jumper-selectable inputs in that they are guaranteed to deassert below a certain voltage level and they are not user-settable. The inputs are not polarity dependent. With nominal control voltage applied, each input draws approximately 4 mA of current.

Jumper-Selectable (Conventional Terminal Blocks Option):

The conventional terminal block model is equipped with jumper-selectable inputs. Both inputs may be individually user-configured to operate on any of the following nominal voltages.

24 Vdc: on for	15–30 Vdc
48 Vdc: on for	30–60 Vdc
125 Vdc: on for	80–150 Vdc
250 Vdc: on for	150–330 Vdc

Level-Sensitive (Plug-In Connectors Option)

The plug-in connectors model is equipped with fixed "level-sensitive" inputs. Both inputs are factory-configured to the control voltage specified at time of ordering. Please note that the 24 Vdc option is not available as "level-sensitive."

24 Vdc: on for	15–30 Vdc
48 Vdc: on for	38.4–60 Vdc; off below 28.8 Vdc
125 Vdc: on for	105–150 Vdc; off below 75 Vdc
250 Vdc: on for	200–300 Vdc; off below 150 Vdc

Serial Communications

Rear Panel:	9-pin sub-D connector
Baud Rate:	300–38400 baud Settable baud rate and data bit protocol

Protocols

Serial Port Protocols:	ASCII Distributed Port Switch Protocol (LMD) Modbus RTU (baud rate limited to 192000; only available in SEL-501 Relay) SY/MAX (only available in SEL-501-1 Relay)
------------------------	--

Metering Functions

Instantaneous and Demand Ammetering functions.
Measurement Accuracy: $\pm 2\%$

Breaker Monitor

Relay counts trip operations and accumulates interrupted current on a pole-by-pole basis.

Routine Dielectric Test

Current inputs:	2500 Vac for 10 s
Power supply, optoisolated inputs, and output contacts:	3000 Vdc for 10 s

The following IEC 60255-5:1977 dielectric test is performed on all units with the CE mark:

2500 Vac for 10 seconds on analog inputs.
3100 Vdc for 10 seconds on power supply, optoisolated inputs, and contact inputs.

Operating Temperature

–40° to +85°C (–40° to +185°F)

Dimensions

8.81 cm x 21.59 cm x 23.37 cm (3.47" x 8.5" x 9.2") (H x W x D)

Weight

2.6 kg (5 lb, 12 oz)

Type Tests**Environmental Tests**

Cold:	IEC 60068-2-1:1990 [EN 60068-1-1:1993] Test Ad; 16 hr at –40°C
Damp Heat, Steady State:	IEC 60068-2-3:1969 Test Ca; 96 hours at +40°C, 93% RH
Damp Heat, Cyclic	IEC 60068-2-30:1980 Test Db; 25° to 55°C, 6 cycles, 95% humidity
Dry Heat:	IEC 60068-2-2:1974 [EN 60068-2-2:1993] Test Bd; 16 hr at +85°C

Dielectric Strength and Impulse Tests

Dielectric:	IEC 60255-5:1977 IEEE C37.90-1989 2500 Vac on analogs, contact inputs, and contact outputs; 100 Vdc on power supply; 2200 Vdc on EIA-485 communications port
Impulse:	IEC 60255-5:1977 0.5 J, 5000 V

Electrostatic Discharge Test

ESD:	IEC 60255-22-2:1996 IEC 60801-2:1991 Level 4
------	---

RFI and Interference Tests

Fast Transient Burst:	IEC 60801-4:1988 Level 4 (4 kV on power supply, 2 kV on inputs and outputs)
Fast Transient Disturbance:	IEC 60255-22-4:1992 IEC 60801-2:1991 Level 4
Radiated EMI:	IEC 60255-22-3:1989, 10 V/m
Surge Withstand:	IEEE C37.90.1-1989 3.0 kV oscillatory; 5.0 kV fast transient

Vibration and Shock Tests

Shock and Bump:	IEC 60255-21-2:1988 Class 2 IEC 60255-21-3:1993 Class 2
Sinusoidal Vibration:	IEC 60255-21-1:1988 Class 2

Object Penetration

Object Penetration:	IEC 60529:1989 IP3X
---------------------	---------------------

© 2002-2017 by Schweitzer Engineering Laboratories, Inc. All rights reserved.

All brand or product names appearing in this document are the trademark or registered trademark of their respective holders. No SEL trademarks may be used without written permission. SEL products appearing in this document may be covered by U.S. and Foreign patents.

Schweitzer Engineering Laboratories, Inc. reserves all rights and benefits afforded under federal and international copyright and patent laws in its products, including without limitation software, firmware, and documentation.

The information in this document is provided for informational use only and is subject to change without notice. Schweitzer Engineering Laboratories, Inc. has approved only the English language document.

This product is covered by the standard SEL 10-year warranty. For warranty details, visit selinc.com or contact your customer service representative.

SCHWEITZER ENGINEERING LABORATORIES, INC.

2350 NE Hopkins Court • Pullman, WA 99163-5603 U.S.A.

Tel: +1.509.332.1890 • Fax: +1.509.332.7990

selinc.com • info@selinc.com

