

# SEL-2600

## RTD Module



## Acquire and transmit resistance temperature detector (RTD) thermal data

- Standalone module allows placement next to equipment, reducing expensive cable pulls.
- One module for multiple RTD types—copper, nickel, and platinum—reduces equipment costs.
- Twelve individually identifiable RTDs provide precise machine and ambient thermal monitoring as well as design flexibility.
- Open- and short-circuit RTD diagnostics identify sensor problems for quick resolution.
- Superior RTD noise immunity minimizes signal errors for best measurement accuracy.



# Features and Benefits

## Measures and Transmits Data From Remote Equipment

Measure and transmit data from up to 12 RTDs and a single contact status located in transformers, breakers, motors, generators, or other system apparatus in combination with SEL communications processors. Communicate RTD data up to 500 meters with V-pin connectors or 1,000 meters with ST<sup>®</sup> connectors using inexpensive fiber-optic cable.

## Operates With Four Types of RTD Inputs

Use any one of the following four different RTD types on each independent input:

- 100 ohm platinum
- 100 ohm nickel
- 120 ohm nickel
- 10 ohm copper

## Reduces Need for Expensive Cables

Reduce expensive cable pulls, and provide electrical noise immunity and ground isolation between devices with a single fiber-optic link.

## Connects Directly With Many SEL Devices

Connect directly with a wide range of SEL products. Refer to individual product instruction manuals for compatibility information.

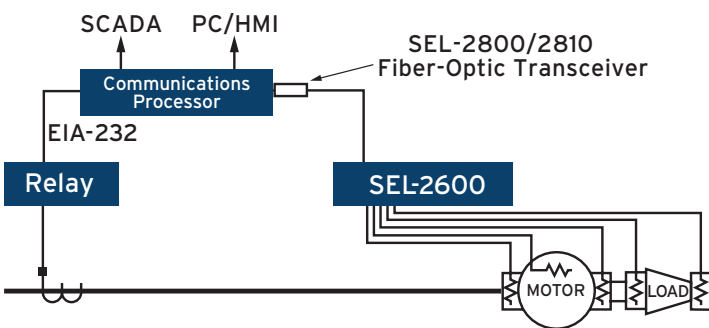
## Withstands Harsh Environmental Conditions

Operate the SEL-2600 in extreme ambient temperatures from  $-40^{\circ}$  to  $+85^{\circ}\text{C}$  ( $-40^{\circ}$  to  $+185^{\circ}\text{F}$ ). The SEL-2600 is conformally coated and rated at Pollution Degree 3 (PD3); UL/CSA/CE-recognized; Class 1, Zone 2-approved; and corrosion-tested to ASTM B117-03 for salt spray and fog.

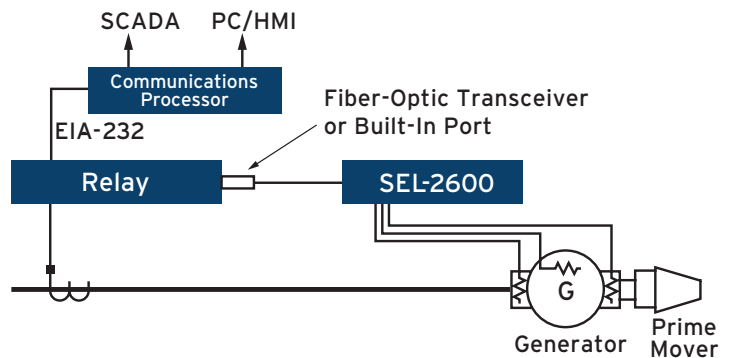


# Applications

The SEL-2600 transmits thermal data directly to an SEL relay or communications processor, providing application flexibility. The relay or communications processor is configured to recognize and compensate for each of the four distinct RTD types allowed with the SEL-2600. These RTDs are highly valuable condition monitors for alarming and tripping when damaging thermal conditions exist.



RTD thermal data transmitted to a communications processor.



RTD thermal data transmitted to a relay.

# Product Overview



The 12 independent RTD inputs allow you to connect to any of the four different RTD types, with no configuration settings required.

The fiber-optic communications port allows the RTDs to send measured analog quantities directly to the relay or information processor.\*

LEDs provide visual confirmation of port activity and product status.

Power input options include:  
 120 Vac, 50/60 Hz or 240 Vac, 50/60 Hz (SEL-2600A)  
 125 Vdc (SEL-2600D)

\*Selectable fiber-optic connection with V-pin or ST® connectors is available.

# Specifications

## General

<b>RTD Inputs</b>	12 independent RTD inputs	
	<b>Range</b> −50° to +250°C	
	<b>Accuracy</b> ±2°C	
	<b>Wiring Configuration</b> Accepts three-wire RTDs	
	<b>RTD Types</b> 100 ohm platinum 120 ohm nickel 100 ohm nickel 10 ohm copper	
	Open- and short-circuit detection	
	Noise (≥50 Hz) rejection on RTD inputs up to 1.4 Vac <sub>peak</sub>	
<b>Contact Input</b>	One dry contact input (15 Vdc maximum)	
<b>Communication</b>	The binary data packet transmits approximately every 0.6 seconds at 2400 bps. The data packet contains temperatures, contact status, and self-test results. The data is secured by CRC-16.	
<b>Power Supply</b>	<b>SEL-2600D (dc option)</b>	<b>SEL-2600A (ac option)</b>
Rated Supply Voltage	125 Vdc (±10%)	120 Vac (±20%), 50/60 Hz or 240 Vac (±20%), 50/60 Hz
Input Voltage Range	112.5–137.5 Vdc	96–144 Vac or 192–288 Vac
Power Consumption	<5 W (2.5 W typical)	5 VA maximum
<b>Pollution Degree</b>	PD3	
<b>Operating Temperature</b>	−40° to +85°C (−40° to +185°F)	

## SCHWEITZER ENGINEERING LABORATORIES

Making Electric Power Safer, More Reliable, and More Economical  
Tel: +1.509.332.1890 | Email: info@selinc.com | Web: www.selinc.com

