



SEL-2701 Ethernet Processor

Communicate With Station Devices Via Ethernet



*Use Ethernet
for improved
instrumentation
and control.*

**Now Available With DNP3
LAN/WAN for SEL-421,
SEL-451, SEL-487B,
SEL-2032, and SEL-2030**

Features and Benefits

■ Easily and Quickly Move Information

Install in an SEL-400 Series Relay for direct Ethernet network connections, or install in an SEL-2032 or SEL-2030 Communications Processor to serve as a gateway to an Ethernet network for devices that use serial communications. Moves data at 10 Mbps or 100 Mbps, using shielded wire or optical fiber Ethernet networks.

■ Interoperate With DNP3 LAN/WAN and IEC 61850 Standard Systems

Use DNP3 LAN/WAN and IEC 61850 on an Ethernet network to communicate with compatible automation systems, local display computers, and remote SCADA masters.

■ Increase I&C System Availability

Designed and tested for high reliability in substation and plant environments. Connect to a primary and a standby instrumentation and control network; if the primary network fails, the SEL-2701 switches to the standby network.

■ Insulate Relays From Network Problems and Changes

Insulates proven relay protection functions from network problems or protocol modifications, with a processor dedicated to network communications.

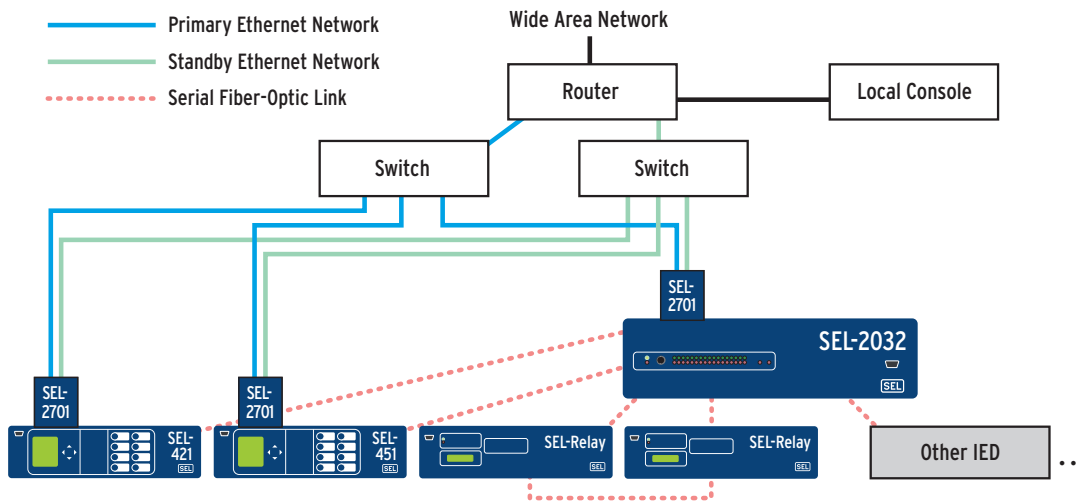
■ Improve Noise Immunity and Safety

Provides improved safety through isolation from dangerous current or voltages, including ground potential rise.

Making Electric Power Safer, More Reliable, and More Economical®

SEL-2701 Ethernet Processor

Application Summary



General Specifications

Protocols

DNP3 LAN/WAN Option

Precise time tags from host relay or devices connected to host communications processors are included in the DNP event data.

Set the DNP map by downloading a map file.

Maps	5
Sessions	10

IEC 61850/UCA2 Option

Uses self-descriptive object models to identify and transfer data. Includes logical node (GOMSE) models for data transfer, and IEC 61850 GSSE (UCA2 GOOSE) messages.

Sessions	15
----------	----

Subscribe to 8 IEC GSSE (UCA2 GOOSE) Senders

FTP (File Transfer Protocol)

Included in all protocol options. Retrieve data in files and set SEL-2701 DNP maps.

Sessions	3
----------	---

Telnet

Communicate as virtual terminal to host relay or to host communications processor and connected devices.

Sessions	3
----------	---

In the SEL-2032 and SEL-2030 you can also use a terminal on a local serial port to connect via Telnet to remote Telnet servers.

Session	1
---------	---

Primary and Standby Ethernet Connections

Order one of the following for each network connection:

10/100BASE-T	Metallic 10 or 100 Mbps, RJ-45 connector
10BASE-FL	Fiber-Optic, 10 Mbps, ST® connectors
100BASE-FX	Fiber-Optic, 100 Mbps, ST connectors

Substation and Plant Grade Equipment

The SEL-2701 is designed, built, and tested with the same practices, processes, and standards that we use for our protective relays, communications processors, and other products.

Commitment to Quality

Schweitzer Engineering Laboratories, Inc. is committed to quality. Our certification to the ISO 9001 quality standard and our worldwide, ten-year product warranty are examples of this commitment. We encourage and appreciate your feedback about the use of SEL equipment, and we will use this information to continually improve our products and services.



© 2000, 2001, 2004, 2005 by Schweitzer Engineering Laboratories, Inc. All rights reserved. All brand or product names appearing in this document are the trademark or registered trademark of their respective holders. No SEL trademarks may be used without written permission. SEL products appearing in this document may be covered by US and Foreign patents. PF00008 • 20051004



2350 NE Hopkins Court • Pullman, WA 99163-5603 USA
Tel: 509.332.1890 • Fax: 509.332.7990 • Email: info@selinc.com
www.selinc.com • www.selindustrial.com

Making Electric Power Safer, More Reliable, and More Economical®