

SEL-2730U



24-Port Unmanaged Ethernet Switch



Features and Benefits

Tough

The SEL-2730U 24-Port Unmanaged Ethernet Switch withstands vibration, electrical surges, electrostatic discharge, fast transients, and extreme temperatures. It meets or exceeds IEEE 1613 (Class 2) and IEC 61850-3 standards for communications networking devices in electric power substations. The SEL-2730U drops no packets throughout this rigorous testing.

Reliable

SEL is committed to providing superior reliability and quality in all its products. The SEL-2730U is equipped with hot-swappable dual power supplies, allowing simultaneous connection to primary and backup power sources. This ensures no loss of service due to a single power source failure. Directly power the SEL-2730U from 12, 24, or 48 Vdc, or 125/250 Vdc or Vac. The observed power supply mean time between failures (MTBF) exceeds 3,000 years.



The SEL-2730U can be configured with two separate power supplies so that different sources can be connected simultaneously. If one source fails, the network will not be affected.

Simple

The SEL-2730U is an unmanaged “no settings” switch. Just connect power, Ethernet devices, and the fiber-optic Ethernet network. LED indicators simplify commissioning and network problem solving. The copper Ethernet ports automatically configure for crossover cables, speed, and half- or full-duplex operation. The SEL-2730U is an ideal choice for applications where managed networking is not required, ensuring there will never be a network configuration error!

Flexible

The base-model SEL-2730U has 4 fixed Gigabit Ethernet copper ports and 16 10/100 Mbps copper Ethernet ports, built as 4-port modules. Each of these modules can be ordered as single- or multimode fiber-optic ports to meet your network’s unique requirements. In addition, up to 4 fiber-optic Gigabit Ethernet ports can be added via small form-factor pluggable (SFP) transceivers, for a total of 24 ports.

Economical

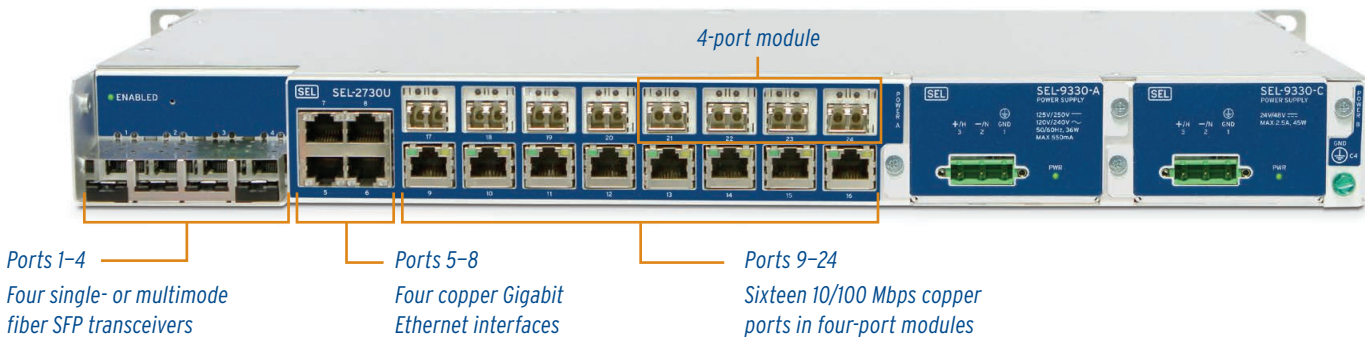
The SEL-2730U saves on total cost of ownership. Because there are no management settings, deployment is fast and simple and there will never be any operational costs associated with installing patches or firmware upgrades. Compare our superior specification compliance, lower price, and ten-year, worldwide warranty to alternatives.

Making Electric Power Safer, More Reliable, and More Economical®

SEL-2730U Unmanaged 24-Port Ethernet Switch

Base Model SEL-2730U Configuration

The base model SEL-2730U comes populated with 4 Gigabit Ethernet interfaces, 4 fiber-optic SFP cages, and 16 additional copper ports. These 16 copper ports can be upgraded to fiber-optic interfaces (single- or multimode) in groups of 4.



General Specifications

Ethernet Ports

Ports 1-4

Each port accepts an SFP transceiver, which adds a single- or multimode Gigabit Ethernet fiber-optic uplink port.

SFP options

Distance	Fiber-optic mode
0.5 km	multimode
2 km	single-mode
20 km	single-mode
30 km	single-mode
40 km	single-mode
50 km	single-mode
80 km	single-mode

Ports 5-8

Data rate: 10/100/1000 Mbps

Connector RJ45 female

Autoconfiguration crossover cable, speed, and half- or full-duplex mode

Ports 9-24

Standard

Data rate 10/100 Mbps

Connector RJ45 female

Autoconfiguration crossover cable, speed, and half- or full-duplex mode

Optional (In groups of four: 9-12, 13-16, 17-20, and 21-24)

Multimode and single-mode optical interface

Data rate 100 Mbps

Connector LC

Power Supply Ratings

Base unit includes one power supply; second supply is optional

Voltage options 100/120/220/230 Vac @ 45-65 Hz,
100/125/220/250 Vdc, or 24-48 Vdc

Operating Temperature

IEC performance rating -40° to +85°C (-40° to +185°F)

Substation- and Plant-Grade Equipment

Designed, built, and tested to IEEE 1613 (Class 2), IEC 61850-3, and other IEEE and IEC standards for:

- Electrostatic discharge
- Fast transients
- Radiated emissions
- Surge withstand capability
- Dielectric strength

Using the recommended STP Ethernet cables, no packets are dropped. Refer to the SEL-2730U Data Sheet for detailed test data.

Related Products

SEL-C627	Category 5e STP Ethernet Cables
SEL-C808	62.5/125 µm Multimode Fiber-Optic Cables



Pullman, Washington USA
Tel: +1.509.332.1890 • Fax: +1.509.332.7990 • www.selinc.com • info@selinc.com

© 2013 by Schweitzer Engineering Laboratories, Inc. PF00311 - 20130322

