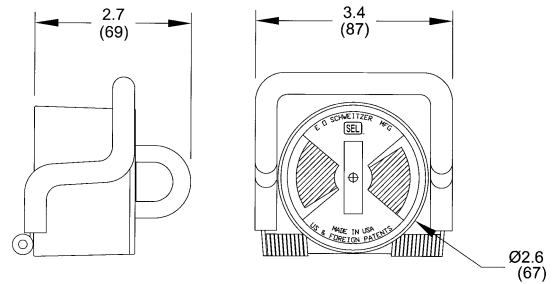




ERL Installation Instructions

Before installation of fault indicators and sensors please read and understand all instructions in their entirety.
 For assistance please contact Customer Service at:
 1-847-362-8304 or by e-mail at: info@selinc.com

Caution! Install fault indicators and sensors in accordance with normal safe operating procedures. These instructions are not intended to replace or supersede existing safety or operating requirements.
Only trained qualified personnel should install or operate fault indicators and sensors.



Caution!

Use extreme caution when installing fault indicators. Voltage levels are sufficient to cause serious injury or death. Mount at least 24" from any jumper, connector, arrester, or other items on the line. Do not allow metallic portions to reduce the insulating air gap sufficiently to initiate a flashover.

Install the phase sensor(s)

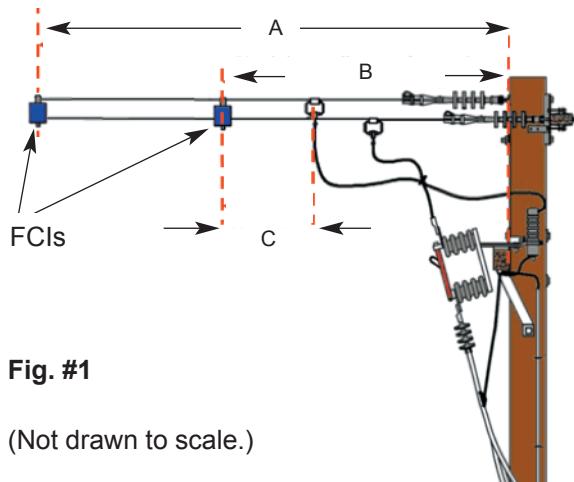
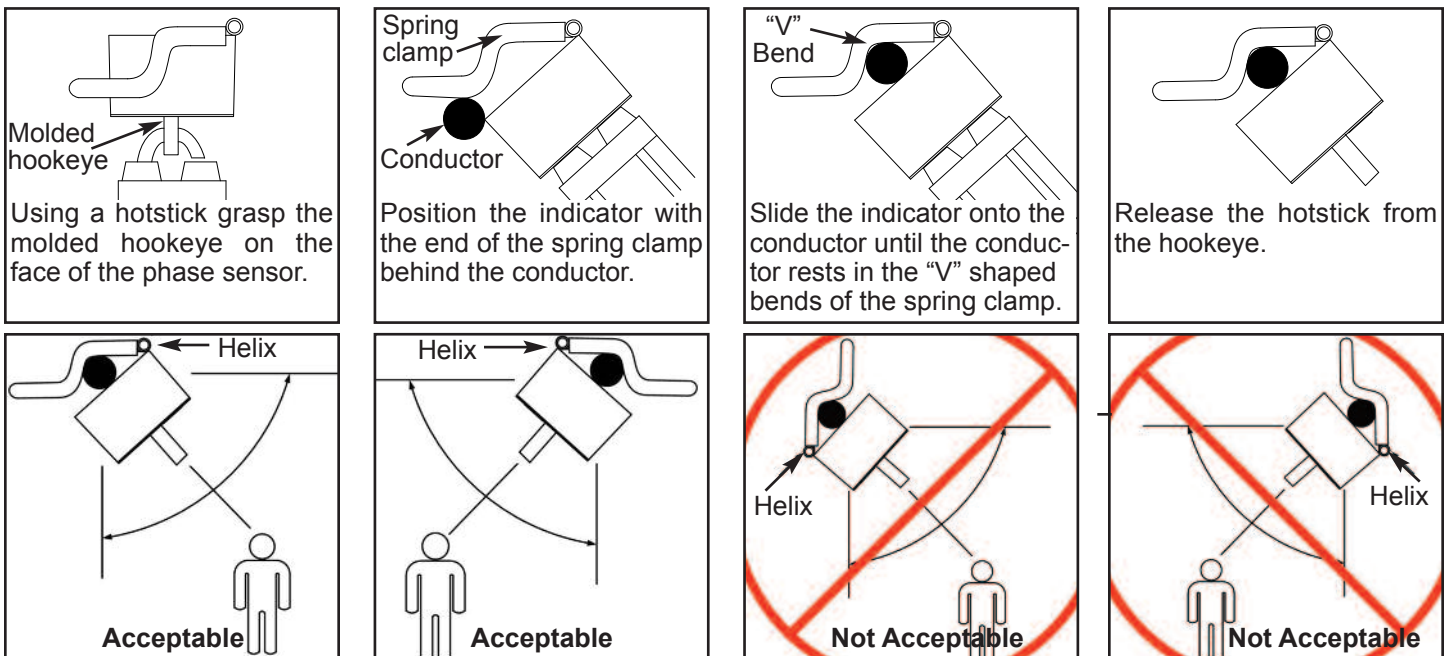


Fig. #1

(Not drawn to scale.)

To ensure optimum FCI function, it is recommended that FCI distance to pole information be followed as shown in Fig. #1.

Reference "A": Maximum recommended distance from pole of 6'-0"

Reference "B": Minimum distance from pole of 3'-0"

Reference "C": Minimum distance from energized hardware of 2'-0"

