

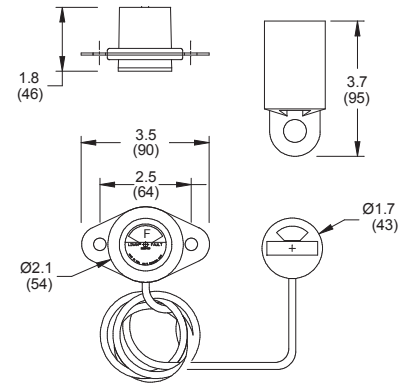


# 1TPRV Installation Instructions

Before installation of fault indicators and sensors please read and understand all instructions in their entirety.

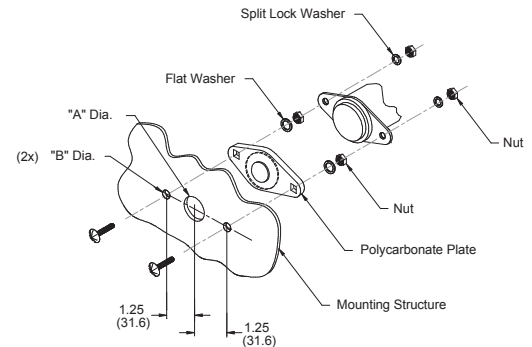
For assistance please contact Customer Service at: 1-847-362-8304 or by e-mail at: [infolz@selinc.com](mailto:infolz@selinc.com)

**Caution!** Install fault indicators and sensors in accordance with normal safe operating procedures. These instructions are not intended to replace or supersede existing safety or operating requirements. Only trained qualified personnel should install or operate fault indicators and sensors.



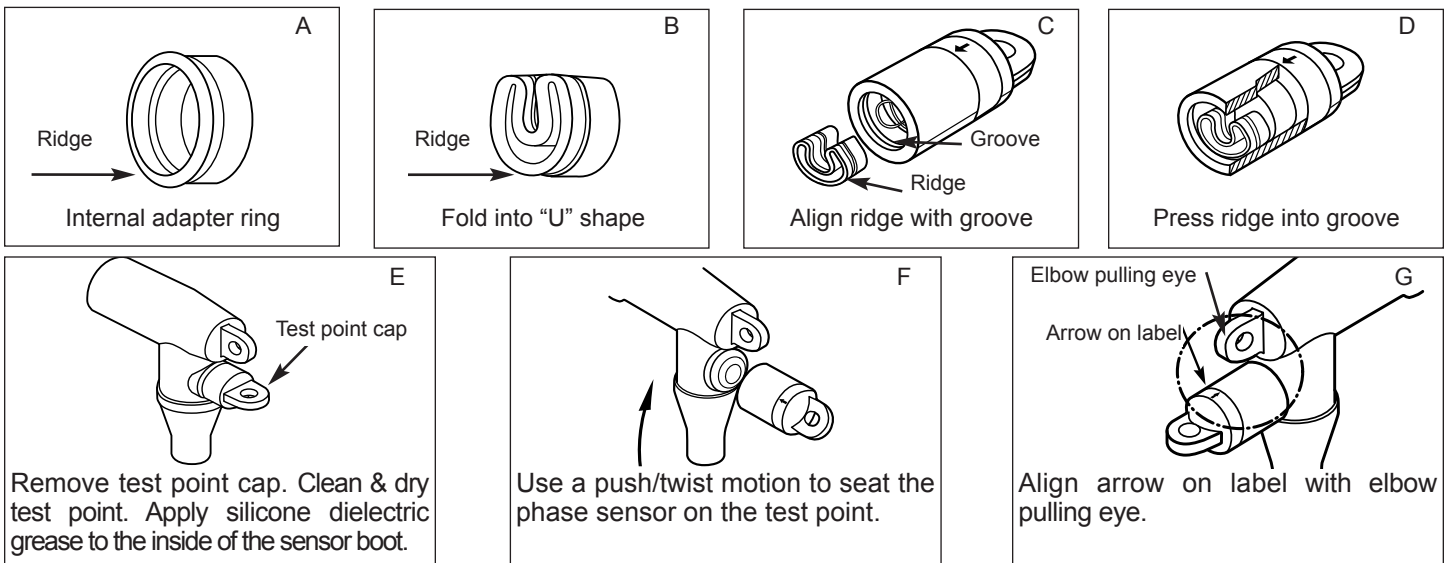
## Install the display

- Punch or drill two 25/64" (10.5mm) and one 1 1/16" (27mm) holes as shown in the diagram, or use template to align the holes. (Consult with enclosure manufacturer for recommended corrosion treatment of holes.)
- Remove the polycarbonate plate from the assembly kit bag and secure it to the mounting structure with carriage bolts, flat washers and nuts as shown in the diagram.
- Slide the stainless steel mounting plate onto the carriage bolts.
- Position the target area of the display against the polycarbonate plate.
- Secure with the lockwashers and nuts.



## Install the internal adapter ring (if required) and the phase sensor(s).

- Elastimold 15, 25, or 35kV PCE elbows having molded in test points require the internal adapter rings. Complete steps A - G
- HUBBELL, Chardon, RTE, Cooper, or GE-Chardon elbows with molded in test points do not require the adapter ring. Complete steps E - G only.



**Magnetic Cable Guides** hold cables and leads neatly within the enclosure.

Order Cat. No.: **MCG**



**SCHWEITZER ENGINEERING LABORATORIES, INC.**

Fault Indicator and Sensor Division  
450 Enterprise Way • Lake Zurich, IL 60047 USA  
Tel: +1.847.362.8304 • Fax: +1.847.362.8396 • [www.selinc.com](http://www.selinc.com) • [infolz@selinc.com](mailto:infolz@selinc.com)



25-0087  
9-01-10-3  
pg 1 of 1