



SEL-651RA Installation Instructions for Terminal Block Wired to I/O and EIA-485

Introduction

This accessory provides auxiliary terminals in the back of the cabinet wired to the input/output (I/O) and EIA-485 terminals on the control module. This accessory requires the accessory mounting kit (included), which provides the physical means to mount accessories on the back of the cabinet behind the SEL-651RA control module. The cross channels and channel nuts are adjustable to accommodate most accessories with mounting dimensions less than 241.3 mm (9.5 in) high and 406.4 mm (16 in) wide. There are approximately 56.64 mm (2.23 in) between the back of the control module and the accessory mounting bracket. The 12-terminal block is also included, which provides five 12 V and five return positions. The input power or battery power energizes the 12 V terminals when the control is operable.

Parts

SEL Part Number	Description	Quantity
P1460	16-position screw-terminal connectors (STCs) (pre-assembled to P9751)	2
P9748	Accessory mounting kit subassembly	1
P9751	Terminal block wired to I/O and EIA-485 subassembly	1
P9950	Accessory mounting kit auxiliary parts	1
SEL-C2252	Red wire	1
SEL-C5533	Black wire	1
080-0101	Cable clamps	4
140-3150	10-32 self-locking nut	5
142-0260	Fender washers	2
310-0050	Zip ties	12

Installation

- Step 1. Install the accessory mounting kit subassembly to the back of the cabinet. Secure the accessory mounting kit to the cabinet with the two fender washers and two nuts on the bottom studs only. See *Figure 1*.

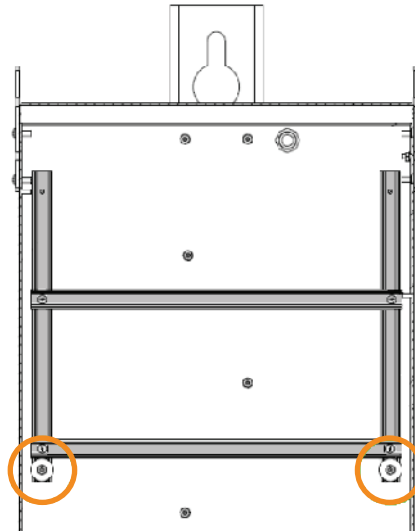


Figure 1 Install Accessory Mounting Assembly

- Step 2. Install the terminal block wired to I/O and EIA-485 subassembly to the top of the accessory mounting kit with two nuts. See *Figure 2*.

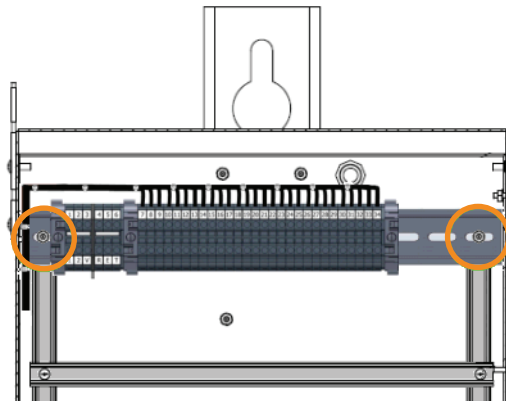


Figure 2 Install Terminal Block Assembly

- Step 3. Install the red and black wires to the top of Terminal 1 and Terminal 4, respectively. See *Figure 3*.

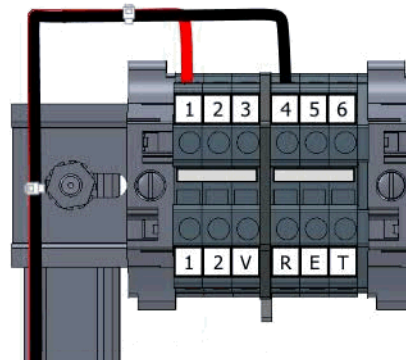


Figure 3 Install 12 V Terminal Block Wires

- Step 4. Install wire clamps to the side of the cabinet with a nut and route wires (red, black, and all the other wires/wire assemblies already attached to the terminal block) through them. See *Figure 4*.

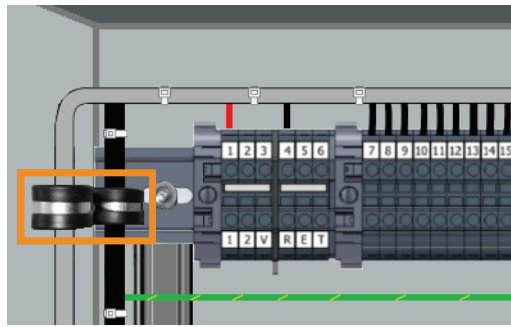


Figure 4 Secure Terminal Block Wires

- Step 5. Route the wires down the side of the cabinet to the bottom of the cabinet near the 14-pin connector.
- Step 6. Connect the green/yellow ground wire to the ground stud in the bottom of the cabinet with the existing nut.
- Step 7. Route the wires through the existing wire clamp on the floor of the cabinet.
- Step 8. Route the wires through the wire loom and up the swing-panel hinge through the existing wire clamps.
- Step 9. Route the wires across the top of the control module. The accessory wires route separately from the main harness.
- Step 10. Use the existing nuts to secure the wires to the top of the control module with the two accessory wire clamps (if they are not already installed). See *Figure 5*.

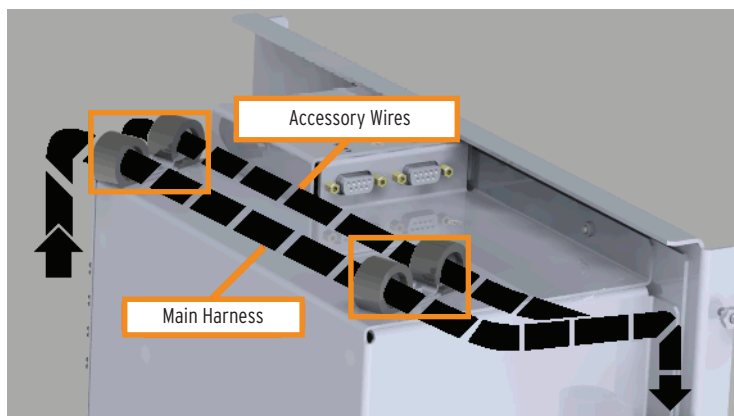


Figure 5 Secure Wires on Top of Control Module

- Step 11. Route the wires down the other side of the control module and attach the red wire to B15 and the black wire to B17. See *Figure 6*.

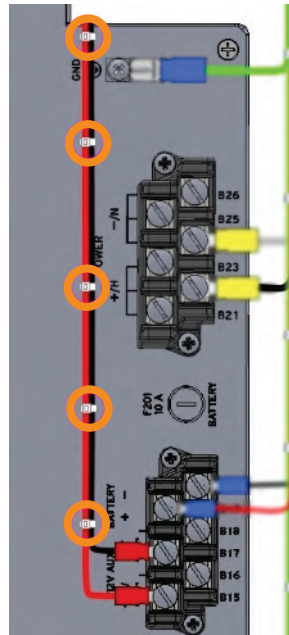
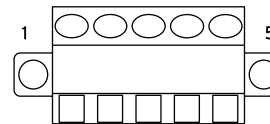


Figure 6 Connect 12 V Wires

Step 12. Install the prewired STCs in the I/O positions (A01–A32).

Step 13. Connect the EIA-485 wires to the plug in the SERIAL PORT position, per *Figure 7*.

NOTE: If your unit is not equipped with the EIA-485 option, there will be no EIA-485 plug on which to connect the EIA-485 wires.



Wire	Pin
White twisted with black	1
Black twisted with white	2
Red twisted with black	3
Black twisted with red	4
Drain	5

Figure 7 EIA-485 Pinout

Step 14. Connect the loose end of the wire attached to A31 to B15. See *Figure 8*.

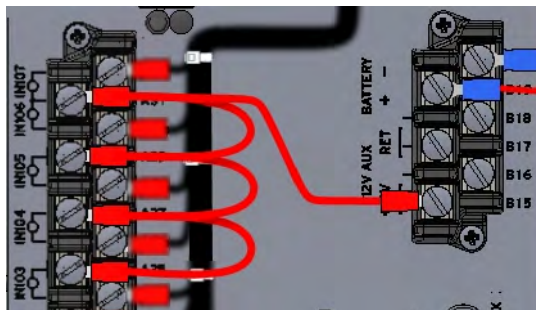
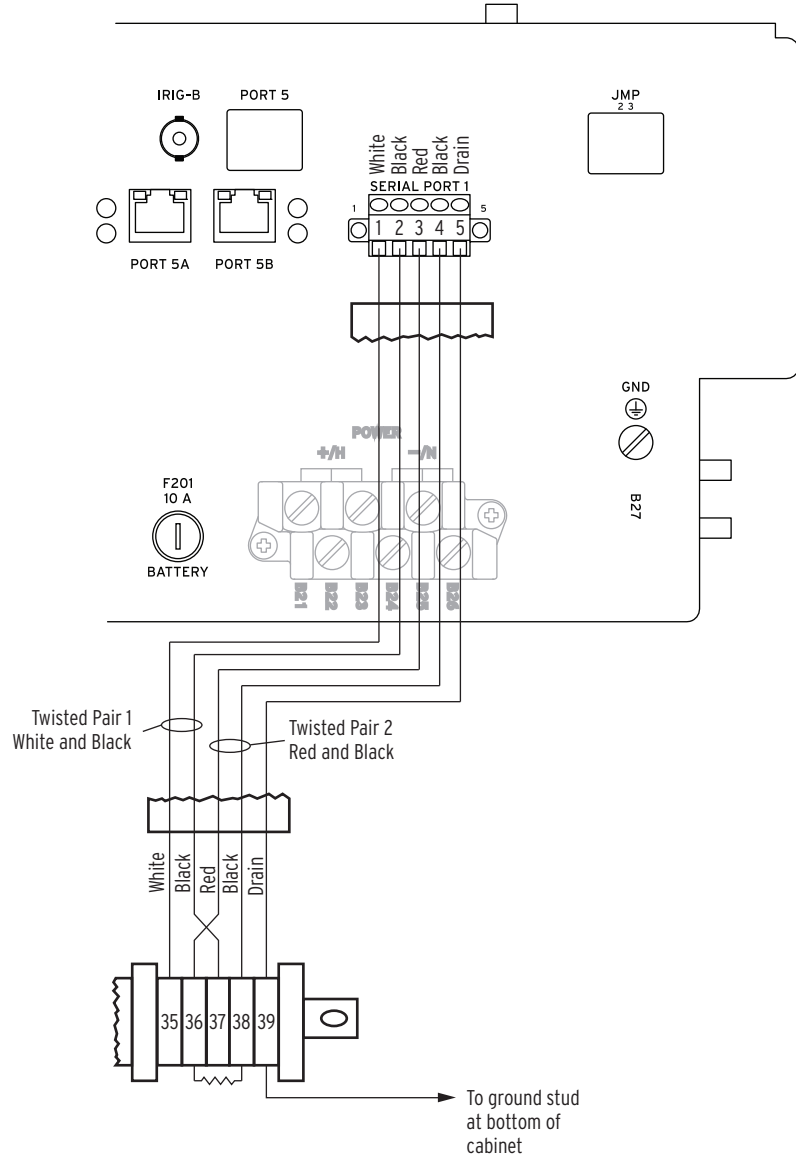


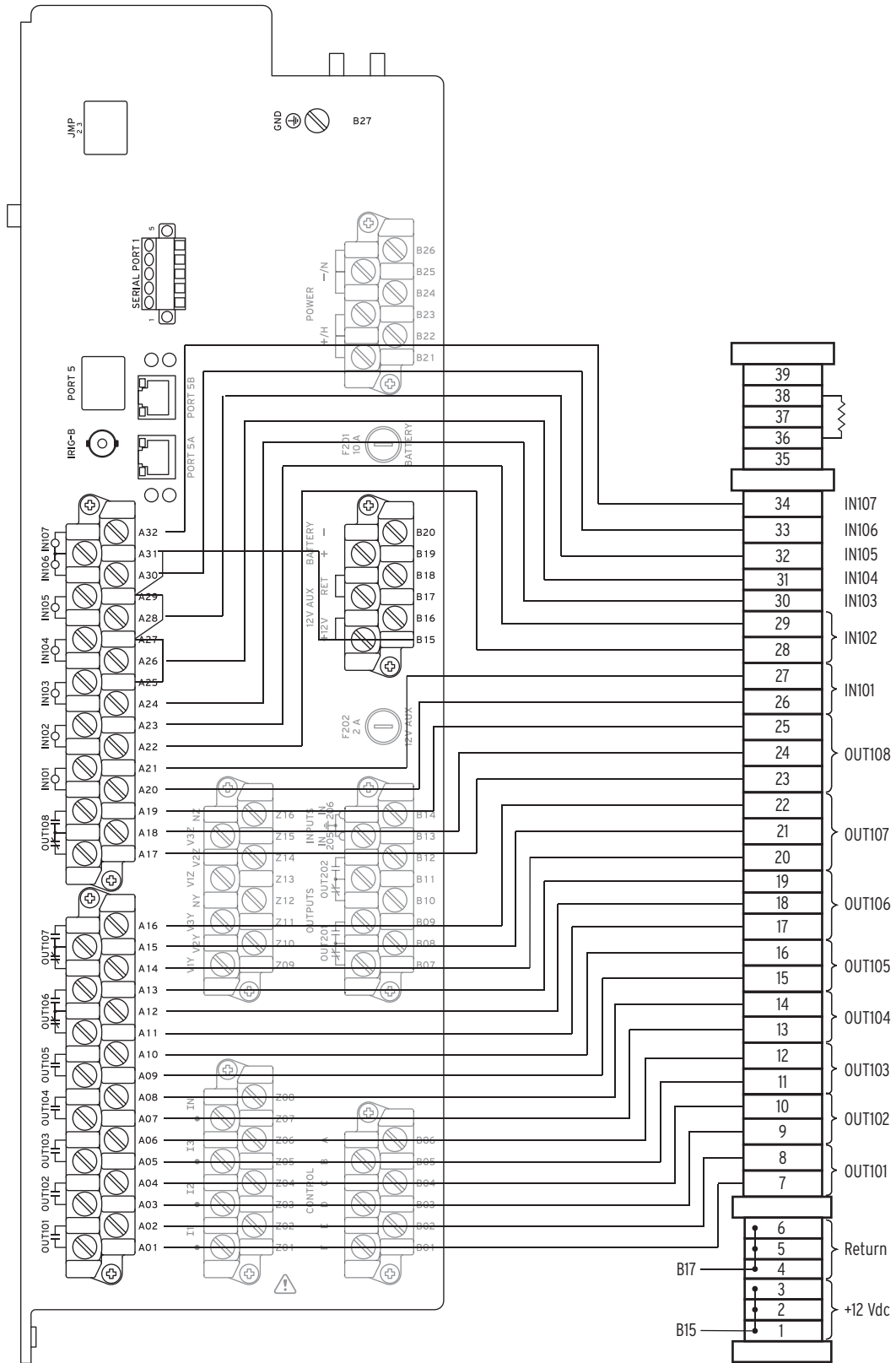
Figure 8 Connect A31 to B15

Step 15. Zip tie wires as necessary.

Wiring Diagrams

NOTE: If your unit is not equipped with the EIA-485 option, there will be no EIA-485 plug on which to connect the EIA-485 wires.





Factory Assistance

We appreciate your interest in SEL products and services. If you have questions or comments, please contact us at:

Schweitzer Engineering Laboratories, Inc.
2350 NE Hopkins Court
Pullman, WA 99163-5603 U.S.A.
Tel: +1.509.332.1890
Fax: +1.509.332.7990
Internet: selinc.com
Email: info@selinc.com

⚠ WARNING

Operator safety may be impaired if the device is used in a manner not specified by SEL.

© 2016 by Schweitzer Engineering Laboratories, Inc. All rights reserved.

All brand or product names appearing in this document are the trademark or registered trademark of their respective holders. No SEL trademarks may be used without written permission. SEL products appearing in this document may be covered by U.S. and Foreign patents.

Schweitzer Engineering Laboratories, Inc. reserves all rights and benefits afforded under federal and international copyright and patent laws in its products, including without limitation software, firmware, and documentation.

The information in this document is provided for informational use only and is subject to change without notice. Schweitzer Engineering Laboratories, Inc. has approved only the English language document.

This product is covered by the standard SEL 10-year warranty. For warranty details, visit selinc.com or contact your customer service representative.

⚠ AVERTISSEMENT

La sécurité de l'opérateur peut être compromise si l'appareil est utilisé d'une façon non indiquée par SEL.

SCHWEITZER ENGINEERING LABORATORIES, INC.

2350 NE Hopkins Court • Pullman, WA 99163-5603 U.S.A.

Tel: +1.509.332.1890 • Fax: +1.509.332.7990

www.selinc.com • info@selinc.com

