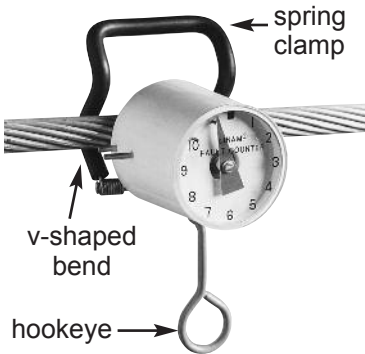


Before Installation Please Read and Understand all Instructions.

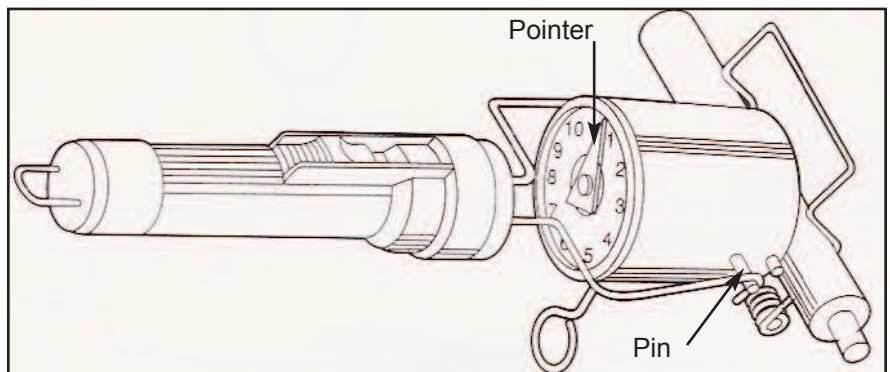
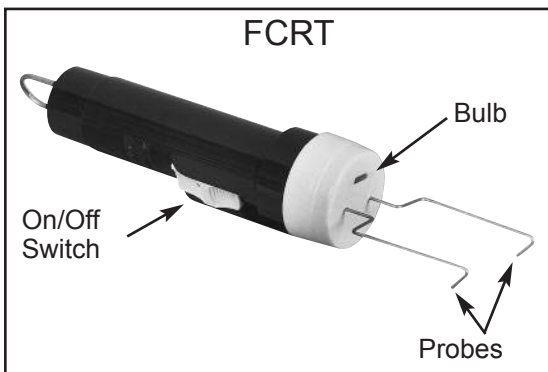
**CAUTION:** Always install Fault Indicators in accordance with normal safe operating procedures. These instructions are not intended to replace or supercede existing safety or operating requirements.

## Install the Fault Counter



1. Use a hotstick to grasp the Fault Counter's hookeye.
2. Position the fault counter with the spring clamp behind the conductor.
3. Push the fault counter so that the conductor fits in the v-shaped bends of the spring clamp.
4. Position the fault counter for easy viewing.
5. Release the hotstick from the hookeye.

## Reset the Fault Counter Using the Fault Counter Reset Tool (FCRT)



1. Confirm that the FCRT tool is stocked with working D-cell batteries (not included).
2. Use a hotstick to grasp the FCRT's hookeye.
3. Turn on the power switch. The bulb will illuminate to indicate that the tool is on.
4. Make contact between the FCRT probes and the steel pins located on each side of the Fault Counter.
5. Maintain contact between the probes and pins for thirty seconds to reset the Fault Counter pointer to zero. Even if the pointer appears to reset to zero before thirty seconds have passed, continue contact for the full thirty second period to ensure complete reset.
6. Remove the FCRT by lifting and moving it away from Fault Counter. Shut off the power switch.