



SEL-2664S Mounting Conversion Kit Instructions

What's In the Box?

Table 1 SEL-2664S Mounting Conversion Kit Contents

Item Number	Part Description	SEL Part Number	Quantity Included
①	Instruction Sheet (this document)	PLS2664S-01	1
②	Support Bracket	190-6049	2
③	#8-32 Flathead Screw	140-0006	12
④	Front Bezel Assembly	190-6048-P01	1
⑤	19" Rack Panel	190-6046-P06	1
⑥	1/4-20 KEP Nut	141-0207	4
⑦	#10-32 Washer Head Screw	140-2750	4
⑧	Front Panel	190-6042	1
⑨	Wall-Mount Bracket	190-6045	2

Available Mounting Options

Refer to the *SEL-2664S Instruction Manual, Section 2: Installation*, for dimension drawings and panel cutout information.

Wall Mount

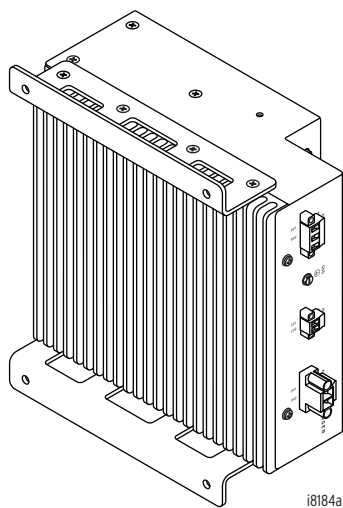


Figure 1 Wall Mount (MOT: 2664S01xx83)

Panel Mount

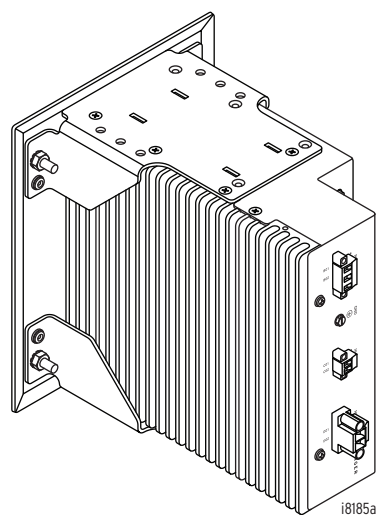


Figure 2 Panel Mount (MOT: 2664S11xx83)

Rack Mount

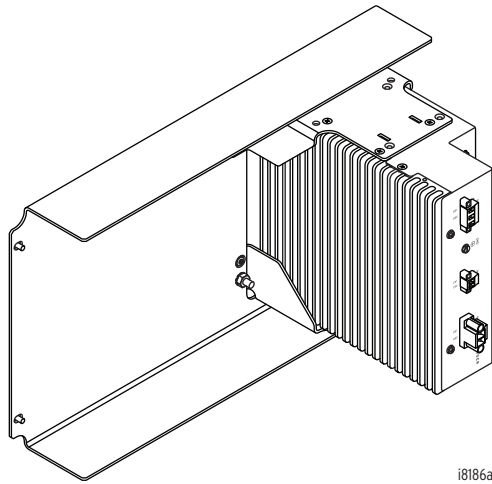


Figure 3 Rack Mount (MOT: 2664S21xx83)

Conversion Instructions

To Convert From Wall Mount to Panel or Rack Mount

- Step 1. Remove the four (4) flathead screws ③ from each of the two brackets ⑨. Discard the screws and brackets.

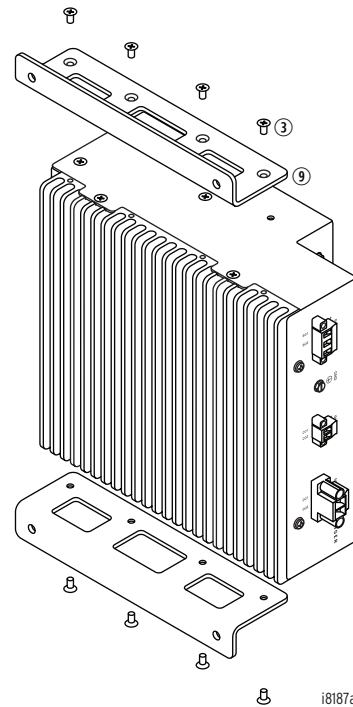


Figure 4 Removing/Installing Wall-Mount Brackets

Step 2. Remove the two (2) flathead screws ③ from each end of the front panel ⑧. Discard the screws and front panel.

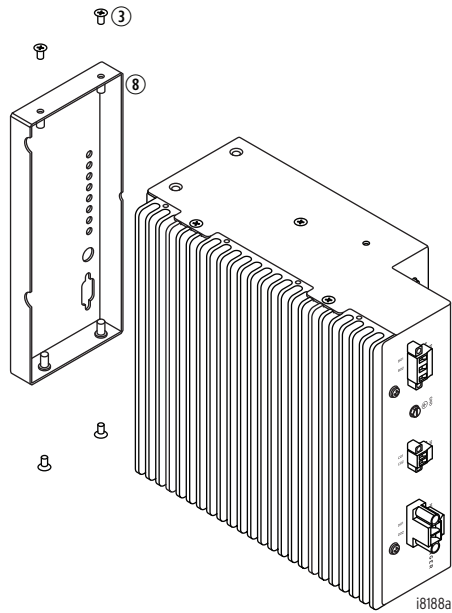


Figure 5 Removing/Installing the Front Panel

Step 3. Install the two (2) support brackets ② for the panel or rack mounting options, using eight (8) #8-32 flathead screws ③. Torque screws to a minimum of 1.2 Nm (11 in-lb) and a maximum of 1.4 Nm (12 in-lb).

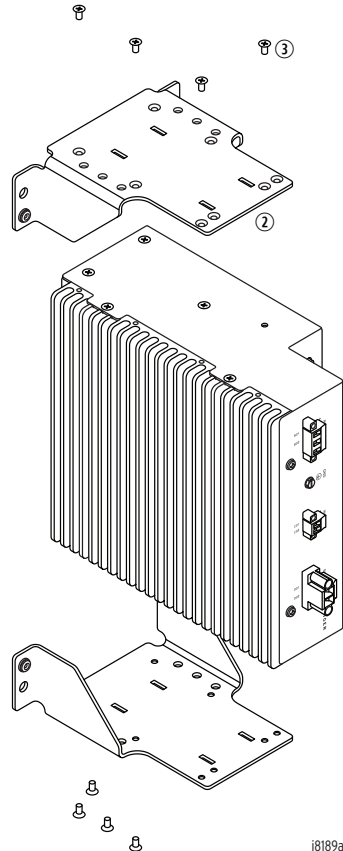


Figure 6 Removing/Installing the Support Brackets

- Step 4. Install the front bezel assembly ④ for the panel or rack-mount options by tightening the four (4) captive screws in the front bezel assembly. Torque screws to a minimum of 1.2 Nm (11 in-lb) and a maximum of 1.4 Nm (12 in-lb).

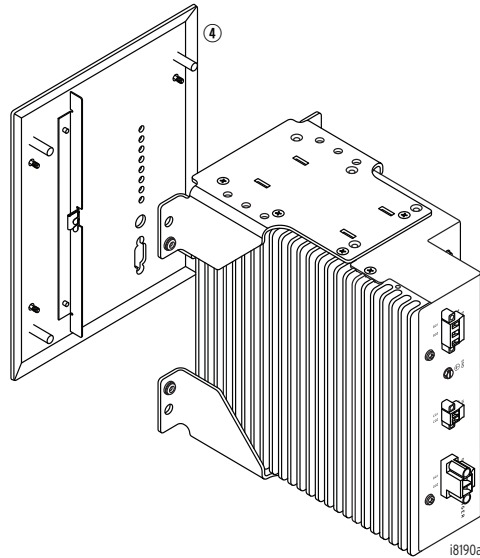


Figure 7 Removing/Installing the Front Bezel Assembly

- Step 5. **Rack-mount option:** Insert the assembled relay into the 19" rack panel ⑤ and secure it with four (4) 1/4-20 KEP nuts ⑥. Torque nuts to a minimum of 5.1 Nm (45 in-lb) and a maximum of 6.2 Nm (55 in-lb).

NOTE: #10-32 washer head screws ⑦ can be used to install the 19" rack panel into an equipment rack.

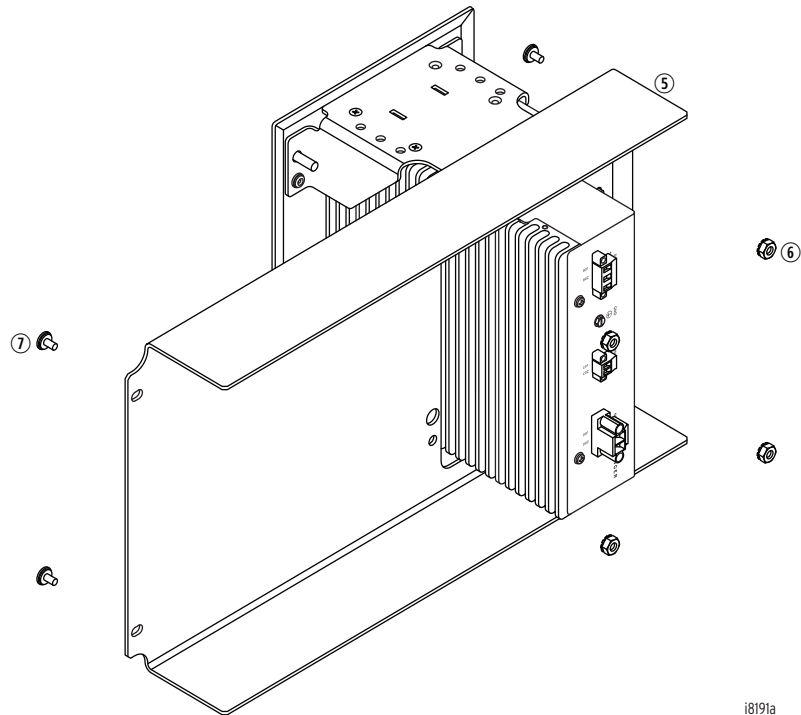


Figure 8 Removing/Installing the Relay in a 19" Rack Panel

- Panel-mount option:** Insert the assembled relay into the panel opening and secure with four (4) 1/4-20 KEP nuts ⑥. Torque nuts to a minimum of 5.1 Nm (45 in-lb) and a maximum of 6.2 Nm (55 in-lb).

To Convert From a Rack or Panel Mount to a Wall Mount

- Step 1. Remove the four (4) KEP nuts ⑥ and discard. Remove the unit from the existing panel (see *Figure 8*).
- Step 2. Loosen the four (4) captive screws for the panel-mount bezel. Discard captive screws and front panel (see *Figure 7*).
- Step 3. Remove the eight (8) flathead screws ③ securing the two support brackets ②. Discard screws and support brackets (see *Figure 6*).
- Step 4. Use four (4) #8-32 flathead screws ③ to install the front panel ⑧ (see *Figure 5*). Torque screws to a minimum of 1.2 Nm (11 in-lb) and a maximum of 1.4 Nm (12 in-lb).
- Step 5. Use eight (8) #8-32 flathead screws ③ to install the two (2) wall-mount brackets ⑨ (see *Figure 4*). Torque screws to a minimum of 1.2 Nm (11 in-lb) and a maximum of 1.4 Nm (12 in-lb).

Factory Assistance

We appreciate your interest in SEL products and services. If you have questions or comments, please contact us at:

Schweitzer Engineering Laboratories, Inc.
2350 NE Hopkins Court
Pullman, WA 99163-5603 U.S.A.
Telephone: +1.509.332.1890
Fax: +1.509.332.7990
Internet: www.selinc.com
Email: info@selinc.com

Notes

© 2015 by Schweitzer Engineering Laboratories, Inc. All rights reserved.

All brand or product names appearing in this document are the trademark or registered trademark of their respective holders. No SEL trademarks may be used without written permission. SEL products appearing in this document may be covered by U.S. and Foreign patents.

Schweitzer Engineering Laboratories, Inc. reserves all rights and benefits afforded under federal and international copyright and patent laws in its products, including without limitation software, firmware, and documentation.

The information in this document is provided for informational use only and is subject to change without notice. Schweitzer Engineering Laboratories, Inc. has approved only the English language document.

This product is covered by the standard SEL 10-year warranty. For warranty details, visit www.selinc.com or contact your customer service representative.

SCHWEITZER ENGINEERING LABORATORIES, INC.

2350 NE Hopkins Court • Pullman, WA 99163-5603 U.S.A.

Tel: +1.509.332.1890 • Fax: +1.509.332.7990

www.selinc.com • info@selinc.com

