



# SEL-2664S Mounting Conversion Kit

## What's in the Box

| Item Number | Part Description                  | Part Number  | Quantity |
|-------------|-----------------------------------|--------------|----------|
| ①           | Instruction Sheet (this document) | PLS2664S-01  | 1        |
| ②           | Support Brackets                  | 190-6049     | 2        |
| ③           | #8-32 Flathead Screws             | 140-0006     | 12       |
| ④           | Front Bezel Assembly              | 190-6048-P01 | 1        |
| ⑤           | 19" Rack Panel                    | 190-6046-P06 | 1        |
| ⑥           | 1/4-20 KEP Nuts                   | 141-0207     | 4        |
| ⑦           | #10-32 Washer Head Screws         | 140-2750     | 4        |
| ⑧           | Front Panel                       | 190-6042     | 1        |
| ⑨           | Wall-Mount Brackets               | 190-6045     | 2        |

## Mounting Options

Refer to *Section 2: Installation* in the *SEL-2664S Instruction Manual* for dimension drawings and panel cutout information.



**Wall Mount (MOT: 2664S01xx83)**



**Panel Mount  
(MOT: 2664S11xx83)**

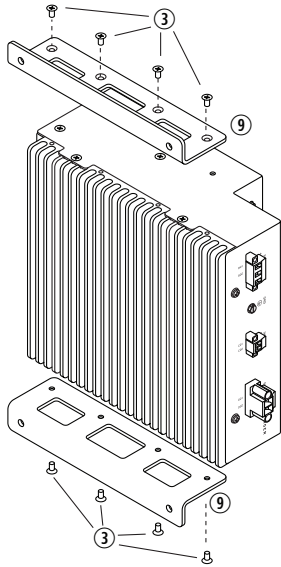


**Rack Mount (MOT: 2664S21xx83)**

# Converting From Wall Mount to Panel or Rack Mount

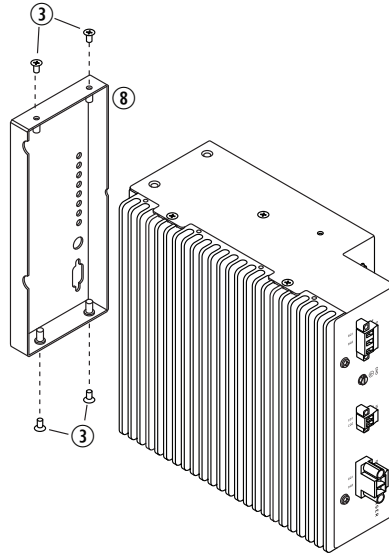
## Step 1. Remove wall-mount brackets.

Remove the four (4) #8-32 flathead screws (3) from each of the two wall-mount brackets (9). Discard the screws and brackets.



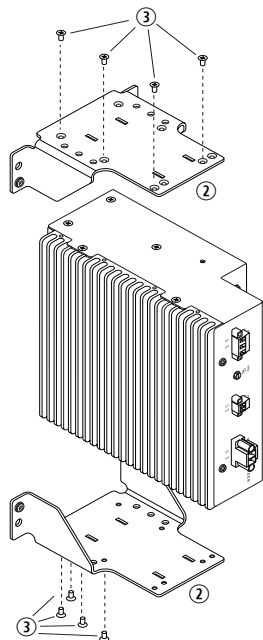
## Step 2. Remove the front panel.

Remove the two (2) flathead screws (3) from each end of the front panel (8). Discard the screws and front panel.



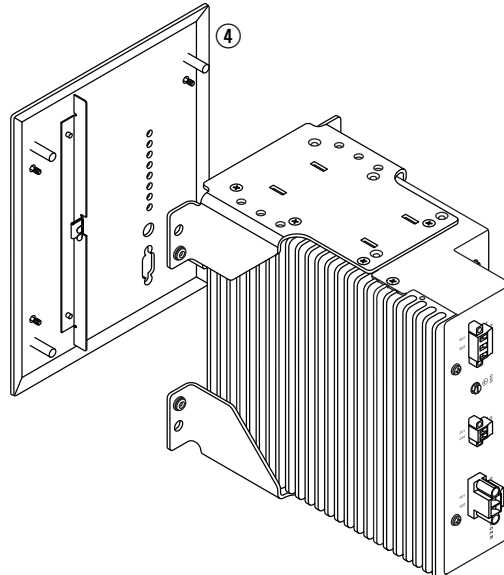
## Step 3. Install the support brackets.

Install the two (2) support brackets (2) for the panel or rack mounting options, using eight (8) #8-32 flathead screws (3). Torque screws to a minimum of 1.2 Nm (11 in-lb) and a maximum of 1.4 Nm (12 in-lb).



## Step 4. Install the front bezel assembly.

Install the front bezel assembly (4) for the panel or rack-mount options by tightening the four (4) captive screws in the front bezel assembly. Torque screws to a minimum of 1.2 Nm (11 in-lb) and a maximum of 1.4 Nm (12 in-lb).

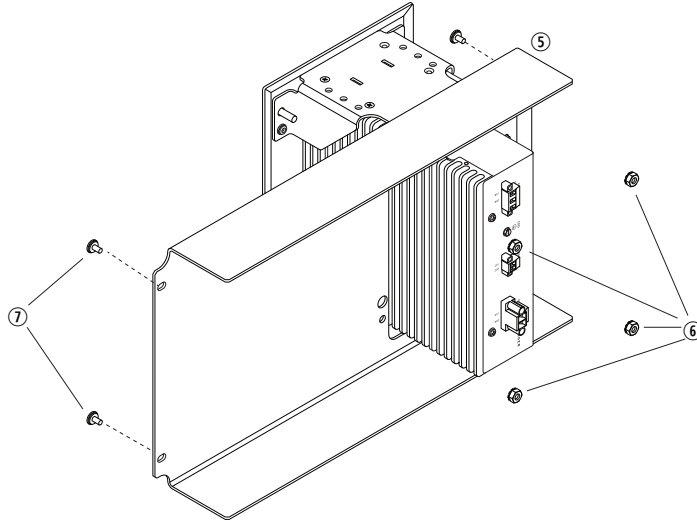


Step 5. Install the relay in a 19" rack panel

**Rack-mount:** Insert the assembled relay into the 19" rack panel ⑤ and secure it with four (4) 1/4-20 KEP nuts ⑥. Torque nuts to a minimum of 5.1 Nm (45 in-lb) and a maximum of 6.2 Nm (55 in-lb).

**Panel-mount:** Insert the assembled relay into the panel opening and secure with four (4) 1/4-20 KEP nuts ⑥. Torque nuts to a minimum of 5.1 Nm (45 in-lb) and a maximum of 6.2 Nm (55 in-lb).

**NOTE:** #10-32 washer head screws ⑦ can be used to install the 19" rack panel into an equipment rack.



## Converting From a Rack or Panel Mount to a Wall Mount

Step 1. Refer to *Step 5* in *Converting From Wall Mount to Panel or Rack Mount*.

Remove the four (4) KEP nuts ⑥ and discard. Remove the unit from the existing panel.

Step 2. Refer to *Step 4* in *Converting From Wall Mount to Panel or Rack Mount*.

Loosen the four (4) captive screws for the panel-mount bezel. Discard captive screws and front panel.

Step 3. Refer to *Step 3* in *Converting From Wall Mount to Panel or Rack Mount*.

Remove the eight (8) flathead screws ③ securing the two support brackets ②. Discard screws and support brackets.

Step 4. Refer to *Step 2* in *Converting From Wall Mount to Panel or Rack Mount*.

Use four (4) #8-32 flathead screws ③ to install the front panel ⑧. Torque screws to a minimum of 1.2 Nm (11 in-lb) and a maximum of 1.4 Nm (12 in-lb).

Step 5. Refer to *Step 1* in *Converting From Wall Mount to Panel or Rack Mount*.

Use eight (8) #8-32 flathead screws ③ to install the two (2) wall-mount brackets ⑨. Torque screws to a minimum of 1.2 Nm (11 in-lb) and a maximum of 1.4 Nm (12 in-lb).

# Factory Assistance

---

We appreciate your interest in SEL products and services. If you have questions or comments, please contact us at:

Schweitzer Engineering Laboratories, Inc.  
 2350 NE Hopkins Court  
 Pullman, WA 99163-5603 U.S.A.  
 Tel: +1.509.338.3838  
 Fax: +1.509.332.7990  
 Internet: selinc.com  
 Email: info@selinc.com

## WARNING

Operator safety may be impaired if the device is used in a manner not specified by SEL.

© 2015-2018 by Schweitzer Engineering Laboratories, Inc. All rights reserved.

All brand or product names appearing in this document are the trademark or registered trademark of their respective holders. No SEL trademarks may be used without written permission. SEL products appearing in this document may be covered by U.S. and Foreign patents.

Schweitzer Engineering Laboratories, Inc. reserves all rights and benefits afforded under federal and international copyright and patent laws in its products, including without limitation software, firmware, and documentation.

The information in this document is provided for informational use only and is subject to change without notice. Schweitzer Engineering Laboratories, Inc. has approved only the English language document.

This product is covered by the standard SEL 10-year warranty. For warranty details, visit selinc.com or contact your customer service representative.

## AVERTISSEMENT

La sécurité de l'opérateur peut être compromise si l'appareil est utilisé d'une façon non indiquée par SEL.

## SCHWEITZER ENGINEERING LABORATORIES, INC.

2350 NE Hopkins Court • Pullman, WA 99163-5603 U.S.A.  
 Tel: +1.509.332.1890 • Fax: +1.509.332.7990  
 selinc.com • info@selinc.com

