

## SEL-C234 EIA-232 Serial Cable

Cable for connecting a Computer or Terminal to a DTE device with a 9-pin female connector<sup>(1)</sup>

Part Number:

C	2	3	4		-			
---	---	---	---	--	---	--	--	--

### Cable Jacket and Shielding

PVC Jacketed, Standard-Shielded <sup>(2)</sup>					A			
PVC Jacketed, Double-Shielded for Enhanced RFI/EMI Protection <sup>(2)*</sup>					R			

### Length<sup>(3)</sup>

Specify in Feet with Leading Zeros (Example: 5 Feet = 005) Max length 100 Feet

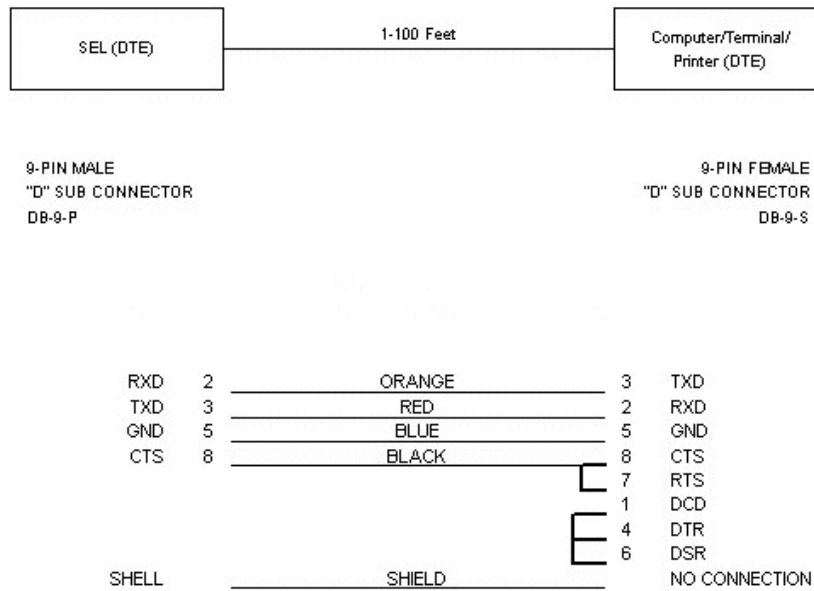
--	--	--	--	--	--	--	--	--

\* Additional Cost

<sup>(1)</sup> To verify your cable application, use the Cable Selector at <https://www.selinc.com/CableSelector/>.

<sup>(2)</sup> Indoor Use Only, CM-Rated

<sup>(3)</sup> The performance of EIA-232 cable lengths greater than 50 feet cannot be guaranteed. As cable lengths increase, so does the risk of interference and equipment damage due to ground potential rise and induced voltages.



**Comments:** C234R cable uses metal connector shells for improved shielding.

*Making Electric Power Safer, More Reliable, and More Economical®*

**SEL** SCHWEITZER ENGINEERING LABORATORIES, INC.

2350 NE Hopkins Court - Pullman, WA 99163 USA  
Phone: +1.509.332.1890 - Fax: +1.509.332.7990