

SEL-C641 EIA-232 Serial Cable

Cable for connecting a DTE device with 9-Pin male connector to a DTE devices with a 9-Pin female connector⁽¹⁾⁽²⁾

Part Number:

C 6 4 1 -

Length⁽³⁾

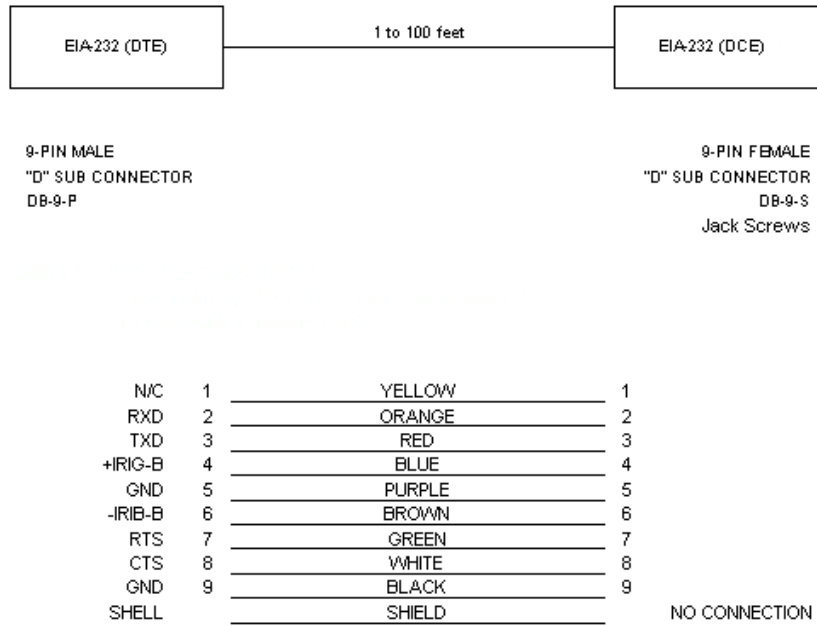
Specify in Feet with Leading Zeros (Example: 5 Feet = 005) Max length 100 Feet

* Additional Cost

⁽¹⁾ To verify your cable application, use the Cable Selector at <https://www.selinc.com/CableSelector/>.

⁽²⁾ Indoor Use Only, CM-Rated

⁽³⁾ The performance of EIA-232 cable lengths greater than 50 feet cannot be guaranteed. As cable lengths increase, so does the risk of interference and equipment damage due to ground potential rise and induced voltages.



Comments: Jack Screws are attached to 9-pin female connector.

Making Electric Power Safer, More Reliable, and More Economical®

SEL SCHWEITZER ENGINEERING LABORATORIES, INC.

2350 NE Hopkins Court - Pullman, WA 99163 USA
Phone: +1.509.332.1890 - Fax: +1.509.332.7990