

	Electromechanical, 2 Form A DO, 6 Form B DO*		2	D																
	Electromechanical, 4 Form A DO, 4 Form B DO*		2	G																
8 Digital Input (SELECT 8 DI)	125 Vdc/Vac*		3	A																
	24 Vdc/Vac*		3	B																
	48 Vdc/Vac*		3	C																
	110 Vdc/Vac*		3	D																
	220 Vdc/Vac*		3	G																
	250 Vdc/Vac*		3	H																
14 Digital Input (SELECT 14 DI)	125 Vdc/Vac*		4	A																
	24 Vdc/Vac*		4	B																
	48 Vdc/Vac*		4	C																
	110 Vdc/Vac*		4	D																
	220 Vdc/Vac*		4	G																
	250 Vdc/Vac*		4	H																
8 Analog Input (SELECT 8 AI)	±20 mA or ±10 V Jumper Selectable*		5	X																
4 Analog Input / 4 Analog Output (SELECT 4 AI / 4 AO) ⁽²⁾	±20 mA or ±10 V Jumper Selectable*		6	X																
10 RTD Input (SELECT 10 RTD)*			9	X																

SELECT I/O Card Option Slot E

No Card	Empty		0	X																
3 Digital Input / 4 Digital Output / 1 4 -20mA Analog Output (SELECT 3 DI / 4 DO / 1 AO) ⁽¹⁾	125 Vdc/Vac DI, Electromechanical DO*		B	A																
	24 Vdc/Vac DI, Electromechanical DO*		B	B																
	48 Vdc/Vac DI, Electromechanical DO*		B	C																
	110 Vdc/Vac DI, Electromechanical DO*		B	D																
	220 Vdc/Vac DI, Electromechanical DO*		B	G																
	250 Vdc/Vac DI, Electromechanical DO*		B	H																
4 Digital Input / 4 Digital Output (SELECT 4 DI / 4 DO)	125 Vdc/Vac DI, Electromechanical DO*		1	A																
	24 Vdc/Vac DI, Electromechanical DO*		1	B																
	48 Vdc/Vac DI, Electromechanical DO*		1	C																

	110 Vdc/Vac DI, Electromechanical DO*	1 D
	220 Vdc/Vac DI, Electromechanical DO*	1 G
	250 Vdc/Vac DI, Electromechanical DO*	1 H
	125 Vdc/Vac DI, Fast High-Current Interrupting DO*	C A
	24 Vdc/Vac DI, Fast High-Current Interrupting DO*	C B
	48 Vdc/Vac DI, Fast High-Current Interrupting DO*	C C
	110 Vdc/Vac DI, Fast High-Current Interrupting DO*	C D
	220 Vdc/Vac DI, Fast High-Current Interrupting DO*	C G
	250 Vdc/Vac DI, Fast High-Current Interrupting DO*	C H
4 Digital Input / 3 Digital Output (2 Form C, 1 Form B) (SELECT 4 DI / 3 DO)	125 Vdc/Vac DI, Electromechanical DO*	D A
	24 Vdc/Vac DI, Electromechanical DO*	D B
	48 Vdc/Vac DI, Electromechanical DO*	D C
	110 Vdc/Vac DI, Electromechanical DO*	D D
	220 Vdc/Vac DI, Electromechanical DO*	D G
	250 Vdc/Vac DI, Electromechanical DO*	D H
8 Digital Output	Electromechanical Form A DO*	2 A
	Electromechanical Form B DO*	2 B
	Electromechanical, 6 Form A DO, 2 Form B DO*	2 C
	Electromechanical, 2 Form A DO, 6 Form B DO*	2 D
	Electromechanical, 4 Form A DO, 4 Form B DO*	2 G
8 Digital Input (SELECT 8 DI)	125 Vdc/Vac*	3 A
	24 Vdc/Vac*	3 B
	48 Vdc/Vac*	3 C
	110 Vdc/Vac*	3 D
	220 Vdc/Vac*	3 G

SEL Cables		
	SEL-C804 Multimode Fiber-Optic Arc-Flash Detection (AFD) Sensors (configurable length)*	Please see Online MOT or contact SEL REP or CSR for ordering information.
	SEL-C814 Arc-Flash Detection (AFD) Fiber Cables and Accessories (configurable length and number of splices)*	Please see Online MOT or contact SEL REP or CSR for ordering information.
	SEL-C234 EIA-232 Serial Cable, SEL-751 to DTE Device (9-Pin Female) (configurable length)*	Please see Online MOT or contact SEL REP or CSR for ordering information.
	SEL-C227A EIA-232 Serial Cable, SEL-751 to DTE Device (25-Pin Female) (configurable length)*	Please see Online MOT or contact SEL REP or CSR for ordering information.
	SEL-C222 EIA-232 Serial Cable, SEL-751 to DCE Device (25-Pin Female) (configurable length)*	Please see Online MOT or contact SEL REP or CSR for ordering information.
	SEL-C272 EIA-232 Serial Cable, SEL-751 to SEL Communications Processor (without IRIG-B signal) (configurable length)*	Please see Online MOT or contact SEL REP or CSR for ordering information.
	SEL-C273 EIA-232 Serial Cable, SEL-751 to SEL Communications Processor (with IRIG-B signal) (configurable length)*	Please see Online MOT or contact SEL REP or CSR for ordering information.
	SEL-CA605 CAT5e, Shielded Twisted Pair (STP) Ethernet Cable (configurable length)*	Please see Online MOT or contact SEL REP or CSR for ordering information.
	SEL-C805 200 µm Multimode Fiber-Optic Cable (configurable length)*	Please see Online MOT or contact SEL REP or CSR for ordering information.
	SEL-C807 62.5/200 µm Multimode Fiber-Optic Cable (configurable length)*	Please see Online MOT or contact SEL REP or CSR for ordering information.
	SEL-C808 62.5/125 µm Multimode Fiber-Optic Cable (configurable length)*	Please see Online MOT or contact SEL REP or CSR for ordering information.

* Additional Cost

(1) Only one (1) 3 DI/4 DO / 1 AO card per chassis.

(2) Only one (1) 4 AI / 4 AO card per chassis.

(3) For Arc-Flash Detection Point Sensors, Bare-Fiber Sensors, or Cable Accessories, see SEL-C804 Multimode Fiber-Optic Arc-Flash Detection (AFD) Sensors and C814 Arc-Flash Detection (AFD) Fiber Cables and Accessories.

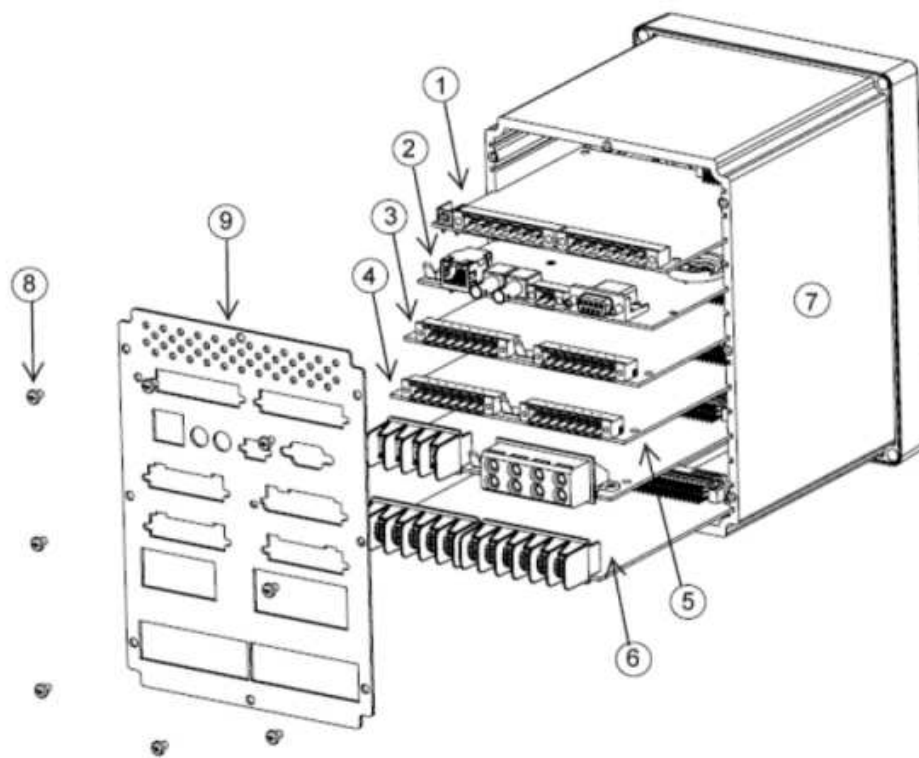
(4) In order to achieve the 2-5 ms operate times for Arc-Flash Protection it is required that the SEL-751 include a 4 DI/4 DO Fast High Current Interrupting Card.

- (5) One complimentary printed instruction manual is available upon request with each product purchased.
- (6) Non-directional relays can order this CT for SEF protection.
- (7) Arc-sense technology for HIF detection is only applicable for low-impedance grounded systems.
- (8) Requires 4ACI/3AVI card in Slot Z.

NOTES:

- Base unit includes slots A, B (EIA-232), Z, HMI, and Front EIA-232 Port.
- Order 2 AVI / 4 AFDI Card for Vsync, VBat, Arc Flash Detection Input.
- The protocols SNMP and Modbus TCP are included in the STANDARD offering with Ethernet option.
- DNP3 LAN/WAN are included with DNP3 and Ethernet option.
- Download ACSELEATOR QuickSet SEL-5030 software for free at <https://www.selinc.com/software/solutions/>. ACSELEATOR QuickSet on CD (503001WX4) is available upon request.
- The SEL-751 can be ordered with a CD manual.
- A configuration kit is provided for the front panel configurable labels (packaged in the shipping box). For additional kits, order SEL part number 9260136 (2 sheet kit) or 9260137 (25 sheet kit).
- For additional remote I/O capability, order SEL-2505 Remote I/O Module that is SEL-2812 compatible (ST option only).
- Order external AC powered RTD module SEL-2600A or external DC powered RTD module SEL-2600D using WI-5997 to interface remote external resistive temperature devices (RTD) or use internal RTD inputs option in Slot D.
- The SEL-751 option cards are orderable separately for field installation. Use WI-12625 and contact your SEL representative to order option cards.
- For relay wire termination kits, please see Application Note AN2014-08 on the SEL website or contact SEL REP or CSR for ordering information.
- For SEL-751 Mounting Accessories including adapter plates, dust protectors, etc go to <https://selinc.com/applications/mountingselector/>.
- All Digital Outputs are Form-A unless noted otherwise.

Chassis Card Slot Configuration Example



- | | |
|---|-------------------------------|
| ① SELECT Power Supply Card with I/O (Slot A) | ⑥ SELECT AC/AVI Card (Slot Z) |
| ② SELECT Processor and Communications Card (Slot B) | ⑦ Device Case |
| ③ SELECT I/O Expansion Card (Slot C) | ⑧ Rear Panel Mounting Screws |
| ④ SELECT I/O Expansion Card (Slot D) | ⑨ Rear Panel |
| ⑤ SELECT I/O Expansion Card (Slot E) | |

Making Electric Power Safer, More Reliable, and More Economical[®]

SEL SCHWEITZER ENGINEERING LABORATORIES, INC.

2350 NE Hopkins Court - Pullman, WA 99163 USA
Phone: +1.509.332.1890 - Fax: +1.509.332.7990