

## SEL-751 with 2x16 LCD Display

### Feeder Protection Relay

- Vertical Chassis
  - Front Panel
    - 2x16 character LCD Display
    - 4 Programmable Pushbuttons with Two Tri-Color LEDs each
    - 8 Target Tri-Color LEDs (6 Programmable)
    - Operator Control Interface
    - EIA-232 Port
  - Processor and Communications Card
    - EIA-232 Port
    - IRIG-B Time Code Input
  - Power Supply Card with 2 DI, 3 DO
  - Slot Z 4 ACI card
  - Synchrophasors with IEEE C37.118 Protocol
  - User Configurable Labels
- ACSELERATOR QuickSet<sup>®</sup> SEL-5030 Software
  - Instruction Manual CD (printed manual available)
  - English or Spanish Language Support for Settings and HMI Messages
  - Protocols
    - Modbus<sup>®</sup> RTU
    - SEL ASCII and Compressed ASCII
    - SEL Fast Meter, Fast Operate, Fast SER
    - SEL Fast Message
    - Ymodem File Transfer
    - SEL MIRRORING BITS<sup>®</sup> Communications
    - Event Messenger<sup>®</sup>
  - 3 Expansion Slots for Optional Cards
  - Breaker Monitoring

Part Number:

<b>7</b>	<b>5</b>	<b>1</b>																				
----------	----------	----------	--	--	--	--	--	--	--	--	--	--	--	--	--	--	--	--	--	--	--	--

### Firmware

Standard Firmware	0													
Standard Firmware plus Reclosing	1													
Standard Firmware plus Directional <sup>(8)*</sup>	2													
Standard Firmware plus Arc Sense Technology <sup>(7)(8)*</sup>	3													
Standard Firmware plus Reclosing and Directional <sup>(8)*</sup>	4													
Standard Firmware plus Reclosing, Directional and Arc Sense Technology <sup>(7)(8)*</sup>	5													
Standard Firmware plus Directional including ungrounded, low-impedance grounded, high-impedance grounded and Petersen coil grounded (requires 200mA neutral CT selection) <sup>(8)*</sup>	6													
Standard Firmware plus Reclosing and Directional including ungrounded, low-impedance grounded, high-impedance grounded and Petersen coil grounded (requires 200mA neutral CT selection) <sup>(8)*</sup>	7													
Standard Firmware plus Reclosing, Directional including ungrounded, low-impedance grounded, high-impedance grounded and Petersen coil grounded (requires 200mA neutral CT selection) and Arc Sense Technology <sup>(7)(8)*</sup>	8													

### User Interface

English Language Support	0													
Spanish Language Support	S													

**SElect Power Supply with I/O Option Slot A**

Power Supply 110 -250 Vdc, 110-240 Vac, 50/60 Hz (SElect PSIO / 2 DI / 3 DO)	125 Vdc/Vac Digital Input	<input type="checkbox"/>	<input type="checkbox"/>	<input type="checkbox"/>	<input type="checkbox"/>	<input type="checkbox"/>	<input type="checkbox"/>	<input type="checkbox"/>	<input type="checkbox"/>	<input type="checkbox"/>	<input type="checkbox"/>	<input type="checkbox"/>	<input type="checkbox"/>	<input type="checkbox"/>	<input type="checkbox"/>	<input type="checkbox"/>	1	A
	24 Vdc/Vac Digital Input	<input type="checkbox"/>	<input type="checkbox"/>	<input type="checkbox"/>	<input type="checkbox"/>	<input type="checkbox"/>	<input type="checkbox"/>	<input type="checkbox"/>	<input type="checkbox"/>	<input type="checkbox"/>	<input type="checkbox"/>	<input type="checkbox"/>	<input type="checkbox"/>	<input type="checkbox"/>	<input type="checkbox"/>	<input type="checkbox"/>	1	B
	48 Vdc/Vac Digital Input	<input type="checkbox"/>	<input type="checkbox"/>	<input type="checkbox"/>	<input type="checkbox"/>	<input type="checkbox"/>	<input type="checkbox"/>	<input type="checkbox"/>	<input type="checkbox"/>	<input type="checkbox"/>	<input type="checkbox"/>	<input type="checkbox"/>	<input type="checkbox"/>	<input type="checkbox"/>	<input type="checkbox"/>	<input type="checkbox"/>	1	C
	110 Vdc/Vac Digital Input	<input type="checkbox"/>	<input type="checkbox"/>	<input type="checkbox"/>	<input type="checkbox"/>	<input type="checkbox"/>	<input type="checkbox"/>	<input type="checkbox"/>	<input type="checkbox"/>	<input type="checkbox"/>	<input type="checkbox"/>	<input type="checkbox"/>	<input type="checkbox"/>	<input type="checkbox"/>	<input type="checkbox"/>	<input type="checkbox"/>	1	D
	220 Vdc/Vac Digital Input	<input type="checkbox"/>	<input type="checkbox"/>	<input type="checkbox"/>	<input type="checkbox"/>	<input type="checkbox"/>	<input type="checkbox"/>	<input type="checkbox"/>	<input type="checkbox"/>	<input type="checkbox"/>	<input type="checkbox"/>	<input type="checkbox"/>	<input type="checkbox"/>	<input type="checkbox"/>	<input type="checkbox"/>	<input type="checkbox"/>	1	G
	250 Vdc/Vac Digital Input	<input type="checkbox"/>	<input type="checkbox"/>	<input type="checkbox"/>	<input type="checkbox"/>	<input type="checkbox"/>	<input type="checkbox"/>	<input type="checkbox"/>	<input type="checkbox"/>	<input type="checkbox"/>	<input type="checkbox"/>	<input type="checkbox"/>	<input type="checkbox"/>	<input type="checkbox"/>	<input type="checkbox"/>	<input type="checkbox"/>	1	H
Power Supply 24-48 Vdc (SElect PSIO / 2 DI / 3 DO)	125 Vdc/Vac Digital Input	<input type="checkbox"/>	<input type="checkbox"/>	<input type="checkbox"/>	<input type="checkbox"/>	<input type="checkbox"/>	<input type="checkbox"/>	<input type="checkbox"/>	<input type="checkbox"/>	<input type="checkbox"/>	<input type="checkbox"/>	<input type="checkbox"/>	<input type="checkbox"/>	<input type="checkbox"/>	<input type="checkbox"/>	<input type="checkbox"/>	2	A
	24 Vdc/Vac Digital Input	<input type="checkbox"/>	<input type="checkbox"/>	<input type="checkbox"/>	<input type="checkbox"/>	<input type="checkbox"/>	<input type="checkbox"/>	<input type="checkbox"/>	<input type="checkbox"/>	<input type="checkbox"/>	<input type="checkbox"/>	<input type="checkbox"/>	<input type="checkbox"/>	<input type="checkbox"/>	<input type="checkbox"/>	<input type="checkbox"/>	2	B
	48 Vdc/Vac Digital Input	<input type="checkbox"/>	<input type="checkbox"/>	<input type="checkbox"/>	<input type="checkbox"/>	<input type="checkbox"/>	<input type="checkbox"/>	<input type="checkbox"/>	<input type="checkbox"/>	<input type="checkbox"/>	<input type="checkbox"/>	<input type="checkbox"/>	<input type="checkbox"/>	<input type="checkbox"/>	<input type="checkbox"/>	<input type="checkbox"/>	2	C
	110 Vdc/Vac Digital Input	<input type="checkbox"/>	<input type="checkbox"/>	<input type="checkbox"/>	<input type="checkbox"/>	<input type="checkbox"/>	<input type="checkbox"/>	<input type="checkbox"/>	<input type="checkbox"/>	<input type="checkbox"/>	<input type="checkbox"/>	<input type="checkbox"/>	<input type="checkbox"/>	<input type="checkbox"/>	<input type="checkbox"/>	<input type="checkbox"/>	2	D
	220 Vdc/Vac Digital Input	<input type="checkbox"/>	<input type="checkbox"/>	<input type="checkbox"/>	<input type="checkbox"/>	<input type="checkbox"/>	<input type="checkbox"/>	<input type="checkbox"/>	<input type="checkbox"/>	<input type="checkbox"/>	<input type="checkbox"/>	<input type="checkbox"/>	<input type="checkbox"/>	<input type="checkbox"/>	<input type="checkbox"/>	<input type="checkbox"/>	2	G
	250 Vdc/Vac Digital Input	<input type="checkbox"/>	<input type="checkbox"/>	<input type="checkbox"/>	<input type="checkbox"/>	<input type="checkbox"/>	<input type="checkbox"/>	<input type="checkbox"/>	<input type="checkbox"/>	<input type="checkbox"/>	<input type="checkbox"/>	<input type="checkbox"/>	<input type="checkbox"/>	<input type="checkbox"/>	<input type="checkbox"/>	<input type="checkbox"/>	2	H

**SElect Front Panel Options**

All Front panel options include: Tri-color LEDs and configurable labels.

Front Panel Options	4 pushbutton controls, 2x16 character LCD display	<input type="checkbox"/>	<input type="checkbox"/>	<input type="checkbox"/>	<input type="checkbox"/>	<input type="checkbox"/>	<input type="checkbox"/>	<input type="checkbox"/>	<input type="checkbox"/>	<input type="checkbox"/>	<input type="checkbox"/>	<input type="checkbox"/>	<input type="checkbox"/>	<input type="checkbox"/>	<input type="checkbox"/>	<input type="checkbox"/>	<input type="checkbox"/>	1
	8 pushbutton controls, 2x16 character LCD display*	<input type="checkbox"/>	<input type="checkbox"/>	<input type="checkbox"/>	<input type="checkbox"/>	<input type="checkbox"/>	<input type="checkbox"/>	<input type="checkbox"/>	<input type="checkbox"/>	<input type="checkbox"/>	<input type="checkbox"/>	<input type="checkbox"/>	<input type="checkbox"/>	<input type="checkbox"/>	<input type="checkbox"/>	<input type="checkbox"/>	<input type="checkbox"/>	0

**SElect Processor Board Ethernet/Rear Serial Options Slot B**

Includes EIA-232 Front Port, IRIG-B, and the following protocols: SEL ASCII, Compressed ASCII, Fast Meter, Fast Operate, Fast Message, MIRRORRED BITS, Modbus RTU.

Processor Board (SElect CPU/COM) Ethernet/Rear Serial Options	No Ethernet, EIA-232 Rear without Single Multimode ST Fiber- optic Serial Port Rear	<input type="checkbox"/>	<input type="checkbox"/>	<input type="checkbox"/>	<input type="checkbox"/>	<input type="checkbox"/>	<input type="checkbox"/>	<input type="checkbox"/>	<input type="checkbox"/>	<input type="checkbox"/>	<input type="checkbox"/>	<input type="checkbox"/>	<input type="checkbox"/>	<input type="checkbox"/>	<input type="checkbox"/>	<input type="checkbox"/>	<input type="checkbox"/>	A
	No Ethernet, EIA-485 Rear without Single Multimode ST Fiber- optic Serial Port Rear	<input type="checkbox"/>	<input type="checkbox"/>	<input type="checkbox"/>	<input type="checkbox"/>	<input type="checkbox"/>	<input type="checkbox"/>	<input type="checkbox"/>	<input type="checkbox"/>	<input type="checkbox"/>	<input type="checkbox"/>	<input type="checkbox"/>	<input type="checkbox"/>	<input type="checkbox"/>	<input type="checkbox"/>	<input type="checkbox"/>	<input type="checkbox"/>	B
	Single 10/100Base-T Ethernet, EIA-232 Rear without Single Multimode ST Fiber- optic Serial Port Rear*	<input type="checkbox"/>	<input type="checkbox"/>	<input type="checkbox"/>	<input type="checkbox"/>	<input type="checkbox"/>	<input type="checkbox"/>	<input type="checkbox"/>	<input type="checkbox"/>	<input type="checkbox"/>	<input type="checkbox"/>	<input type="checkbox"/>	<input type="checkbox"/>	<input type="checkbox"/>	<input type="checkbox"/>	<input type="checkbox"/>	<input type="checkbox"/>	C
	Single 10/100Base-T Ethernet, EIA-485 Rear without Single Multimode ST Fiber- optic Serial Port Rear*	<input type="checkbox"/>	<input type="checkbox"/>	<input type="checkbox"/>	<input type="checkbox"/>	<input type="checkbox"/>	<input type="checkbox"/>	<input type="checkbox"/>	<input type="checkbox"/>	<input type="checkbox"/>	<input type="checkbox"/>	<input type="checkbox"/>	<input type="checkbox"/>	<input type="checkbox"/>	<input type="checkbox"/>	<input type="checkbox"/>	<input type="checkbox"/>	D
	Single 100Base-FX MM LC Ethernet, EIA- 232 Rear without Single Multimode ST Fiber-optic Serial Port Rear*	<input type="checkbox"/>	<input type="checkbox"/>	<input type="checkbox"/>	<input type="checkbox"/>	<input type="checkbox"/>	<input type="checkbox"/>	<input type="checkbox"/>	<input type="checkbox"/>	<input type="checkbox"/>	<input type="checkbox"/>	<input type="checkbox"/>	<input type="checkbox"/>	<input type="checkbox"/>	<input type="checkbox"/>	<input type="checkbox"/>	<input type="checkbox"/>	E
	Dual 10/100Base-T Ethernet, EIA-232 Rear without Single Multimode ST Fiber- optic Serial Port Rear*	<input type="checkbox"/>	<input type="checkbox"/>	<input type="checkbox"/>	<input type="checkbox"/>	<input type="checkbox"/>	<input type="checkbox"/>	<input type="checkbox"/>	<input type="checkbox"/>	<input type="checkbox"/>	<input type="checkbox"/>	<input type="checkbox"/>	<input type="checkbox"/>	<input type="checkbox"/>	<input type="checkbox"/>	<input type="checkbox"/>	<input type="checkbox"/>	F
			<input type="checkbox"/>	<input type="checkbox"/>	<input type="checkbox"/>	<input type="checkbox"/>	<input type="checkbox"/>	<input type="checkbox"/>	<input type="checkbox"/>	<input type="checkbox"/>	<input type="checkbox"/>	<input type="checkbox"/>	<input type="checkbox"/>	<input type="checkbox"/>	<input type="checkbox"/>	<input type="checkbox"/>	<input type="checkbox"/>	

	Dual 100Base-FX MM LC Ethernet, EIA-232 Rear without Single Multimode ST Fiberoptic Serial Port Rear*	G
	No Ethernet, EIA-232 Rear with Single Multimode ST Fiberoptic Serial Port Rear*	0
	No Ethernet, EIA-485 Rear with Single Multimode ST Fiberoptic Serial Port Rear*	1
	Single 10/100Base-T Ethernet, EIA-232 Rear with Single Multimode ST Fiberoptic Serial Port Rear*	2
	Single 10/100Base-T Ethernet, EIA-485 Rear with Single Multimode ST Fiberoptic Serial Port Rear*	3
	Single 100Base-FX MM LC Ethernet, EIA-232 Rear with Single Multimode ST Fiberoptic Serial Port Rear*	4
	Dual 10/100Base-T Ethernet, EIA-232 Rear with Single Multimode ST Fiberoptic Serial Port Rear*	6
	Dual 100Base-FX MM LC Ethernet, EIA-232 Rear with Single Multimode ST Fiberoptic Serial Port Rear*	8

**SELECT Protocols Slot B**

Protocols	Standard	0
	Standard plus IEC 61850 (requires Ethernet)*	1
	Standard plus DNP3*	2
	Standard plus DNP3 plus IEC 61850 (requires Ethernet)*	3
	Standard plus IEC 60870-5-103*	4
	Standard plus IEC 60870-5-103 plus IEC 61850 (requires Ethernet)*	5
	Standard plus DNP3 plus IEC 60870-5-103*	6
	Standard plus DNP3 plus IEC 60870-5-103 plus IEC 61850 (requires Ethernet)*	7

**SELECT I/O Card Option Slot C**

No Card	Empty	0 X
---------	-------	-----

Serial Communication Card (SELECT EIA-232/485)*		A 0
3 Digital Input / 4 Digital Output / 1 4 -20mA Analog Output (SELECT 3 DI / 4 DO / 1 AO) <sup>(1)</sup>	125 Vdc/Vac DI, Electromechanical DO*	B A
	24 Vdc/Vac DI, Electromechanical DO*	B B
	48 Vdc/Vac DI, Electromechanical DO*	B C
	110 Vdc/Vac DI, Electromechanical DO*	B D
	220 Vdc/Vac DI, Electromechanical DO*	B G
	250 Vdc/Vac DI, Electromechanical DO*	B H
4 Digital Input / 4 Digital Output (SELECT 4 DI / 4 DO)	125 Vdc/Vac DI, Electromechanical DO*	1 A
	24 Vdc/Vac DI, Electromechanical DO*	1 B
	48 Vdc/Vac DI, Electromechanical DO*	1 C
	110 Vdc/Vac DI, Electromechanical DO*	1 D
	220 Vdc/Vac DI, Electromechanical DO*	1 G
	250 Vdc/Vac DI, Electromechanical DO*	1 H
	125 Vdc/Vac DI, Fast High-Current Interrupting DO*	C A
	24 Vdc/Vac DI, Fast High-Current Interrupting DO*	C B
	48 Vdc/Vac DI, Fast High-Current Interrupting DO*	C C
	110 Vdc/Vac DI, Fast High-Current Interrupting DO*	C D
	220 Vdc/Vac DI, Fast High-Current Interrupting DO*	C G
250 Vdc/Vac DI, Fast High-Current Interrupting DO*	C H	
4 Digital Input / 3 Digital Output (2 Form C, 1 Form B) (SELECT 4 DI / 3 DO)	125 Vdc/Vac DI, Electromechanical DO*	D A
	24 Vdc/Vac DI, Electromechanical DO*	D B



	220 Vdc/Vac DI, Electromechanical DO*	<input type="checkbox"/> <input type="checkbox"/> <input type="checkbox"/> <input type="checkbox"/> <input type="checkbox"/> <input type="checkbox"/> <input type="checkbox"/> <input type="checkbox"/> <input type="checkbox"/> <input type="checkbox"/> <input type="checkbox"/> <input type="checkbox"/> <input type="checkbox"/> <input type="checkbox"/> <input type="checkbox"/> <input type="checkbox"/> <input type="checkbox"/> <input type="checkbox"/> <input type="checkbox"/> <input type="checkbox"/> <input type="checkbox"/> <input type="checkbox"/>	B G
	250 Vdc/Vac DI, Electromechanical DO*	<input type="checkbox"/> <input type="checkbox"/> <input type="checkbox"/> <input type="checkbox"/> <input type="checkbox"/> <input type="checkbox"/> <input type="checkbox"/> <input type="checkbox"/> <input type="checkbox"/> <input type="checkbox"/> <input type="checkbox"/> <input type="checkbox"/> <input type="checkbox"/> <input type="checkbox"/> <input type="checkbox"/> <input type="checkbox"/> <input type="checkbox"/> <input type="checkbox"/> <input type="checkbox"/> <input type="checkbox"/> <input type="checkbox"/>	B H
4 Digital Input / 4 Digital Output (SELECT 4 DI / 4 DO)	125 Vdc/Vac DI, Electromechanical DO*	<input type="checkbox"/> <input type="checkbox"/> <input type="checkbox"/> <input type="checkbox"/> <input type="checkbox"/> <input type="checkbox"/> <input type="checkbox"/> <input type="checkbox"/> <input type="checkbox"/> <input type="checkbox"/> <input type="checkbox"/> <input type="checkbox"/> <input type="checkbox"/> <input type="checkbox"/> <input type="checkbox"/> <input type="checkbox"/> <input type="checkbox"/> <input type="checkbox"/> <input type="checkbox"/> <input type="checkbox"/>	1 A
	24 Vdc/Vac DI, Electromechanical DO*	<input type="checkbox"/> <input type="checkbox"/> <input type="checkbox"/> <input type="checkbox"/> <input type="checkbox"/> <input type="checkbox"/> <input type="checkbox"/> <input type="checkbox"/> <input type="checkbox"/> <input type="checkbox"/> <input type="checkbox"/> <input type="checkbox"/> <input type="checkbox"/> <input type="checkbox"/> <input type="checkbox"/> <input type="checkbox"/> <input type="checkbox"/> <input type="checkbox"/> <input type="checkbox"/> <input type="checkbox"/>	1 B
	48 Vdc/Vac DI, Electromechanical DO*	<input type="checkbox"/> <input type="checkbox"/> <input type="checkbox"/> <input type="checkbox"/> <input type="checkbox"/> <input type="checkbox"/> <input type="checkbox"/> <input type="checkbox"/> <input type="checkbox"/> <input type="checkbox"/> <input type="checkbox"/> <input type="checkbox"/> <input type="checkbox"/> <input type="checkbox"/> <input type="checkbox"/> <input type="checkbox"/> <input type="checkbox"/> <input type="checkbox"/> <input type="checkbox"/> <input type="checkbox"/>	1 C
	110 Vdc/Vac DI, Electromechanical DO*	<input type="checkbox"/> <input type="checkbox"/> <input type="checkbox"/> <input type="checkbox"/> <input type="checkbox"/> <input type="checkbox"/> <input type="checkbox"/> <input type="checkbox"/> <input type="checkbox"/> <input type="checkbox"/> <input type="checkbox"/> <input type="checkbox"/> <input type="checkbox"/> <input type="checkbox"/> <input type="checkbox"/> <input type="checkbox"/> <input type="checkbox"/> <input type="checkbox"/> <input type="checkbox"/> <input type="checkbox"/>	1 D
	220 Vdc/Vac DI, Electromechanical DO*	<input type="checkbox"/> <input type="checkbox"/> <input type="checkbox"/> <input type="checkbox"/> <input type="checkbox"/> <input type="checkbox"/> <input type="checkbox"/> <input type="checkbox"/> <input type="checkbox"/> <input type="checkbox"/> <input type="checkbox"/> <input type="checkbox"/> <input type="checkbox"/> <input type="checkbox"/> <input type="checkbox"/> <input type="checkbox"/> <input type="checkbox"/> <input type="checkbox"/> <input type="checkbox"/> <input type="checkbox"/>	1 G
	250 Vdc/Vac DI, Electromechanical DO*	<input type="checkbox"/> <input type="checkbox"/> <input type="checkbox"/> <input type="checkbox"/> <input type="checkbox"/> <input type="checkbox"/> <input type="checkbox"/> <input type="checkbox"/> <input type="checkbox"/> <input type="checkbox"/> <input type="checkbox"/> <input type="checkbox"/> <input type="checkbox"/> <input type="checkbox"/> <input type="checkbox"/> <input type="checkbox"/> <input type="checkbox"/> <input type="checkbox"/> <input type="checkbox"/> <input type="checkbox"/>	1 H
	125 Vdc/Vac DI, Fast High-Current Interrupting DO*	<input type="checkbox"/> <input type="checkbox"/> <input type="checkbox"/> <input type="checkbox"/> <input type="checkbox"/> <input type="checkbox"/> <input type="checkbox"/> <input type="checkbox"/> <input type="checkbox"/> <input type="checkbox"/> <input type="checkbox"/> <input type="checkbox"/> <input type="checkbox"/> <input type="checkbox"/> <input type="checkbox"/> <input type="checkbox"/> <input type="checkbox"/> <input type="checkbox"/> <input type="checkbox"/> <input type="checkbox"/>	C A
24 Vdc/Vac DI, Fast High-Current Interrupting DO*	<input type="checkbox"/> <input type="checkbox"/> <input type="checkbox"/> <input type="checkbox"/> <input type="checkbox"/> <input type="checkbox"/> <input type="checkbox"/> <input type="checkbox"/> <input type="checkbox"/> <input type="checkbox"/> <input type="checkbox"/> <input type="checkbox"/> <input type="checkbox"/> <input type="checkbox"/> <input type="checkbox"/> <input type="checkbox"/> <input type="checkbox"/> <input type="checkbox"/> <input type="checkbox"/> <input type="checkbox"/>	C B	
48 Vdc/Vac DI, Fast High-Current Interrupting DO*	<input type="checkbox"/> <input type="checkbox"/> <input type="checkbox"/> <input type="checkbox"/> <input type="checkbox"/> <input type="checkbox"/> <input type="checkbox"/> <input type="checkbox"/> <input type="checkbox"/> <input type="checkbox"/> <input type="checkbox"/> <input type="checkbox"/> <input type="checkbox"/> <input type="checkbox"/> <input type="checkbox"/> <input type="checkbox"/> <input type="checkbox"/> <input type="checkbox"/> <input type="checkbox"/> <input type="checkbox"/>	C C	
110 Vdc/Vac DI, Fast High-Current Interrupting DO*	<input type="checkbox"/> <input type="checkbox"/> <input type="checkbox"/> <input type="checkbox"/> <input type="checkbox"/> <input type="checkbox"/> <input type="checkbox"/> <input type="checkbox"/> <input type="checkbox"/> <input type="checkbox"/> <input type="checkbox"/> <input type="checkbox"/> <input type="checkbox"/> <input type="checkbox"/> <input type="checkbox"/> <input type="checkbox"/> <input type="checkbox"/> <input type="checkbox"/> <input type="checkbox"/> <input type="checkbox"/>	C D	
220 Vdc/Vac DI, Fast High-Current Interrupting DO*	<input type="checkbox"/> <input type="checkbox"/> <input type="checkbox"/> <input type="checkbox"/> <input type="checkbox"/> <input type="checkbox"/> <input type="checkbox"/> <input type="checkbox"/> <input type="checkbox"/> <input type="checkbox"/> <input type="checkbox"/> <input type="checkbox"/> <input type="checkbox"/> <input type="checkbox"/> <input type="checkbox"/> <input type="checkbox"/> <input type="checkbox"/> <input type="checkbox"/> <input type="checkbox"/> <input type="checkbox"/>	C G	
250 Vdc/Vac DI, Fast High-Current Interrupting DO*	<input type="checkbox"/> <input type="checkbox"/> <input type="checkbox"/> <input type="checkbox"/> <input type="checkbox"/> <input type="checkbox"/> <input type="checkbox"/> <input type="checkbox"/> <input type="checkbox"/> <input type="checkbox"/> <input type="checkbox"/> <input type="checkbox"/> <input type="checkbox"/> <input type="checkbox"/> <input type="checkbox"/> <input type="checkbox"/> <input type="checkbox"/> <input type="checkbox"/> <input type="checkbox"/> <input type="checkbox"/>	C H	
4 Digital Input / 3 Digital Output (2 Form C, 1 Form B) (SELECT 4 DI / 3 DO)	125 Vdc/Vac DI, Electromechanical DO*	<input type="checkbox"/> <input type="checkbox"/> <input type="checkbox"/> <input type="checkbox"/> <input type="checkbox"/> <input type="checkbox"/> <input type="checkbox"/> <input type="checkbox"/> <input type="checkbox"/> <input type="checkbox"/> <input type="checkbox"/> <input type="checkbox"/> <input type="checkbox"/> <input type="checkbox"/> <input type="checkbox"/> <input type="checkbox"/> <input type="checkbox"/> <input type="checkbox"/> <input type="checkbox"/> <input type="checkbox"/>	D A
	24 Vdc/Vac DI, Electromechanical DO*	<input type="checkbox"/> <input type="checkbox"/> <input type="checkbox"/> <input type="checkbox"/> <input type="checkbox"/> <input type="checkbox"/> <input type="checkbox"/> <input type="checkbox"/> <input type="checkbox"/> <input type="checkbox"/> <input type="checkbox"/> <input type="checkbox"/> <input type="checkbox"/> <input type="checkbox"/> <input type="checkbox"/> <input type="checkbox"/> <input type="checkbox"/> <input type="checkbox"/> <input type="checkbox"/> <input type="checkbox"/>	D B
	48 Vdc/Vac DI, Electromechanical DO*	<input type="checkbox"/> <input type="checkbox"/> <input type="checkbox"/> <input type="checkbox"/> <input type="checkbox"/> <input type="checkbox"/> <input type="checkbox"/> <input type="checkbox"/> <input type="checkbox"/> <input type="checkbox"/> <input type="checkbox"/> <input type="checkbox"/> <input type="checkbox"/> <input type="checkbox"/> <input type="checkbox"/> <input type="checkbox"/> <input type="checkbox"/> <input type="checkbox"/> <input type="checkbox"/> <input type="checkbox"/>	D C
	110 Vdc/Vac DI, Electromechanical DO*	<input type="checkbox"/> <input type="checkbox"/> <input type="checkbox"/> <input type="checkbox"/> <input type="checkbox"/> <input type="checkbox"/> <input type="checkbox"/> <input type="checkbox"/> <input type="checkbox"/> <input type="checkbox"/> <input type="checkbox"/> <input type="checkbox"/> <input type="checkbox"/> <input type="checkbox"/> <input type="checkbox"/> <input type="checkbox"/> <input type="checkbox"/> <input type="checkbox"/> <input type="checkbox"/> <input type="checkbox"/>	D D
	220 Vdc/Vac DI, Electromechanical DO*	<input type="checkbox"/> <input type="checkbox"/> <input type="checkbox"/> <input type="checkbox"/> <input type="checkbox"/> <input type="checkbox"/> <input type="checkbox"/> <input type="checkbox"/> <input type="checkbox"/> <input type="checkbox"/> <input type="checkbox"/> <input type="checkbox"/> <input type="checkbox"/> <input type="checkbox"/> <input type="checkbox"/> <input type="checkbox"/> <input type="checkbox"/> <input type="checkbox"/> <input type="checkbox"/> <input type="checkbox"/>	D G
250 Vdc/Vac DI, Electromechanical DO*	<input type="checkbox"/> <input type="checkbox"/> <input type="checkbox"/> <input type="checkbox"/> <input type="checkbox"/> <input type="checkbox"/> <input type="checkbox"/> <input type="checkbox"/> <input type="checkbox"/> <input type="checkbox"/> <input type="checkbox"/> <input type="checkbox"/> <input type="checkbox"/> <input type="checkbox"/> <input type="checkbox"/> <input type="checkbox"/> <input type="checkbox"/> <input type="checkbox"/> <input type="checkbox"/> <input type="checkbox"/>	D H	
8 Digital Output	Electromechanical Form A DO*	<input type="checkbox"/> <input type="checkbox"/> <input type="checkbox"/> <input type="checkbox"/> <input type="checkbox"/> <input type="checkbox"/> <input type="checkbox"/> <input type="checkbox"/> <input type="checkbox"/> <input type="checkbox"/> <input type="checkbox"/> <input type="checkbox"/> <input type="checkbox"/> <input type="checkbox"/> <input type="checkbox"/> <input type="checkbox"/> <input type="checkbox"/> <input type="checkbox"/> <input type="checkbox"/> <input type="checkbox"/>	2 A
	Electromechanical Form B DO*	<input type="checkbox"/> <input type="checkbox"/> <input type="checkbox"/> <input type="checkbox"/> <input type="checkbox"/> <input type="checkbox"/> <input type="checkbox"/> <input type="checkbox"/> <input type="checkbox"/> <input type="checkbox"/> <input type="checkbox"/> <input type="checkbox"/> <input type="checkbox"/> <input type="checkbox"/> <input type="checkbox"/> <input type="checkbox"/> <input type="checkbox"/> <input type="checkbox"/> <input type="checkbox"/> <input type="checkbox"/>	2 B

	Electromechanical, 6 Form A DO, 2 Form B DO*	2 C
	Electromechanical, 2 Form A DO, 6 Form B DO*	2 D
	Electromechanical, 4 Form A DO, 4 Form B DO*	2 G
8 Digital Input (SELECT 8 DI)	125 Vdc/Vac*	3 A
	24 Vdc/Vac*	3 B
	48 Vdc/Vac*	3 C
	110 Vdc/Vac*	3 D
	220 Vdc/Vac*	3 G
	250 Vdc/Vac*	3 H
14 Digital Input (SELECT 14 DI)	125 Vdc/Vac*	4 A
	24 Vdc/Vac*	4 B
	48 Vdc/Vac*	4 C
	110 Vdc/Vac*	4 D
	220 Vdc/Vac*	4 G
	250 Vdc/Vac*	4 H
8 Analog Input (SELECT 8 AI)	±20 mA or ±10 V Jumper Selectable*	5 X
4 Analog Input / 4 Analog Output (SELECT 4 AI / 4 AO) <sup>(2)</sup>	±20 mA or ±10 V Jumper Selectable*	6 X
10 RTD Input (SELECT 10 RTD)*		9 X

### SELECT I/O Card Option Slot E

No Card	Empty	0 X
3 Digital Input / 4 Digital Output / 1 4 -20mA Analog Output (SELECT 3 DI / 4 DO / 1 AO) <sup>(1)</sup>	125 Vdc/Vac DI, Electromechanical DO*	B A
	24 Vdc/Vac DI, Electromechanical DO*	B B
	48 Vdc/Vac DI, Electromechanical DO*	B C
	110 Vdc/Vac DI, Electromechanical DO*	B D
	220 Vdc/Vac DI, Electromechanical DO*	B G
	250 Vdc/Vac DI, Electromechanical DO*	B H
4 Digital Input / 4 Digital Output (SELECT 4 DI / 4 DO)	125 Vdc/Vac DI, Electromechanical DO*	1 A
	24 Vdc/Vac DI, Electromechanical DO*	1 B
	48 Vdc/Vac DI, Electromechanical DO*	1 C

	110 Vdc/Vac DI, Electromechanical DO*	<input type="checkbox"/> <input type="checkbox"/> <input type="checkbox"/> <input type="checkbox"/> <input type="checkbox"/> <input type="checkbox"/> <input type="checkbox"/> <input type="checkbox"/> <input type="checkbox"/> <input type="checkbox"/> <input type="checkbox"/> <input type="checkbox"/> <input type="checkbox"/> <input type="checkbox"/> <input type="checkbox"/> <input type="checkbox"/> <input type="checkbox"/> <input type="checkbox"/> <input type="checkbox"/> 1 D <input type="checkbox"/> <input type="checkbox"/> <input type="checkbox"/> <input type="checkbox"/> <input type="checkbox"/> <input type="checkbox"/> <input type="checkbox"/> <input type="checkbox"/>	
	220 Vdc/Vac DI, Electromechanical DO*	<input type="checkbox"/> <input type="checkbox"/> <input type="checkbox"/> <input type="checkbox"/> <input type="checkbox"/> <input type="checkbox"/> <input type="checkbox"/> <input type="checkbox"/> <input type="checkbox"/> <input type="checkbox"/> <input type="checkbox"/> <input type="checkbox"/> <input type="checkbox"/> <input type="checkbox"/> <input type="checkbox"/> <input type="checkbox"/> <input type="checkbox"/> <input type="checkbox"/> 1 G <input type="checkbox"/> <input type="checkbox"/> <input type="checkbox"/> <input type="checkbox"/> <input type="checkbox"/> <input type="checkbox"/> <input type="checkbox"/> <input type="checkbox"/>	
	250 Vdc/Vac DI, Electromechanical DO*	<input type="checkbox"/> <input type="checkbox"/> <input type="checkbox"/> <input type="checkbox"/> <input type="checkbox"/> <input type="checkbox"/> <input type="checkbox"/> <input type="checkbox"/> <input type="checkbox"/> <input type="checkbox"/> <input type="checkbox"/> <input type="checkbox"/> <input type="checkbox"/> <input type="checkbox"/> <input type="checkbox"/> <input type="checkbox"/> <input type="checkbox"/> <input type="checkbox"/> 1 H <input type="checkbox"/> <input type="checkbox"/> <input type="checkbox"/> <input type="checkbox"/> <input type="checkbox"/> <input type="checkbox"/> <input type="checkbox"/> <input type="checkbox"/>	
	125 Vdc/Vac DI, Fast High-Current Interrupting DO*	<input type="checkbox"/> <input type="checkbox"/> <input type="checkbox"/> <input type="checkbox"/> <input type="checkbox"/> <input type="checkbox"/> <input type="checkbox"/> <input type="checkbox"/> <input type="checkbox"/> <input type="checkbox"/> <input type="checkbox"/> <input type="checkbox"/> <input type="checkbox"/> <input type="checkbox"/> <input type="checkbox"/> <input type="checkbox"/> <input type="checkbox"/> C A <input type="checkbox"/> <input type="checkbox"/> <input type="checkbox"/> <input type="checkbox"/> <input type="checkbox"/> <input type="checkbox"/> <input type="checkbox"/> <input type="checkbox"/>	
	24 Vdc/Vac DI, Fast High-Current Interrupting DO*	<input type="checkbox"/> <input type="checkbox"/> <input type="checkbox"/> <input type="checkbox"/> <input type="checkbox"/> <input type="checkbox"/> <input type="checkbox"/> <input type="checkbox"/> <input type="checkbox"/> <input type="checkbox"/> <input type="checkbox"/> <input type="checkbox"/> <input type="checkbox"/> <input type="checkbox"/> <input type="checkbox"/> <input type="checkbox"/> <input type="checkbox"/> C B <input type="checkbox"/> <input type="checkbox"/> <input type="checkbox"/> <input type="checkbox"/> <input type="checkbox"/> <input type="checkbox"/> <input type="checkbox"/> <input type="checkbox"/>	
	48 Vdc/Vac DI, Fast High-Current Interrupting DO*	<input type="checkbox"/> <input type="checkbox"/> <input type="checkbox"/> <input type="checkbox"/> <input type="checkbox"/> <input type="checkbox"/> <input type="checkbox"/> <input type="checkbox"/> <input type="checkbox"/> <input type="checkbox"/> <input type="checkbox"/> <input type="checkbox"/> <input type="checkbox"/> <input type="checkbox"/> <input type="checkbox"/> <input type="checkbox"/> <input type="checkbox"/> C C <input type="checkbox"/> <input type="checkbox"/> <input type="checkbox"/> <input type="checkbox"/> <input type="checkbox"/> <input type="checkbox"/> <input type="checkbox"/> <input type="checkbox"/>	
	110 Vdc/Vac DI, Fast High-Current Interrupting DO*	<input type="checkbox"/> <input type="checkbox"/> <input type="checkbox"/> <input type="checkbox"/> <input type="checkbox"/> <input type="checkbox"/> <input type="checkbox"/> <input type="checkbox"/> <input type="checkbox"/> <input type="checkbox"/> <input type="checkbox"/> <input type="checkbox"/> <input type="checkbox"/> <input type="checkbox"/> <input type="checkbox"/> <input type="checkbox"/> <input type="checkbox"/> C D <input type="checkbox"/> <input type="checkbox"/> <input type="checkbox"/> <input type="checkbox"/> <input type="checkbox"/> <input type="checkbox"/> <input type="checkbox"/> <input type="checkbox"/>	
	220 Vdc/Vac DI, Fast High-Current Interrupting DO*	<input type="checkbox"/> <input type="checkbox"/> <input type="checkbox"/> <input type="checkbox"/> <input type="checkbox"/> <input type="checkbox"/> <input type="checkbox"/> <input type="checkbox"/> <input type="checkbox"/> <input type="checkbox"/> <input type="checkbox"/> <input type="checkbox"/> <input type="checkbox"/> <input type="checkbox"/> <input type="checkbox"/> <input type="checkbox"/> <input type="checkbox"/> C G <input type="checkbox"/> <input type="checkbox"/> <input type="checkbox"/> <input type="checkbox"/> <input type="checkbox"/> <input type="checkbox"/> <input type="checkbox"/> <input type="checkbox"/>	
	250 Vdc/Vac DI, Fast High-Current Interrupting DO*	<input type="checkbox"/> <input type="checkbox"/> <input type="checkbox"/> <input type="checkbox"/> <input type="checkbox"/> <input type="checkbox"/> <input type="checkbox"/> <input type="checkbox"/> <input type="checkbox"/> <input type="checkbox"/> <input type="checkbox"/> <input type="checkbox"/> <input type="checkbox"/> <input type="checkbox"/> <input type="checkbox"/> <input type="checkbox"/> <input type="checkbox"/> C H <input type="checkbox"/> <input type="checkbox"/> <input type="checkbox"/> <input type="checkbox"/> <input type="checkbox"/> <input type="checkbox"/> <input type="checkbox"/> <input type="checkbox"/>	
4 Digital Input / 3 Digital Output (2 Form C, 1 Form B) (SELECT 4 DI / 3 DO)	125 Vdc/Vac DI, Electromechanical DO*	<input type="checkbox"/> <input type="checkbox"/> <input type="checkbox"/> <input type="checkbox"/> <input type="checkbox"/> <input type="checkbox"/> <input type="checkbox"/> <input type="checkbox"/> <input type="checkbox"/> <input type="checkbox"/> <input type="checkbox"/> <input type="checkbox"/> <input type="checkbox"/> <input type="checkbox"/> <input type="checkbox"/> <input type="checkbox"/> <input type="checkbox"/> D A <input type="checkbox"/> <input type="checkbox"/> <input type="checkbox"/> <input type="checkbox"/> <input type="checkbox"/> <input type="checkbox"/> <input type="checkbox"/> <input type="checkbox"/>	
	24 Vdc/Vac DI, Electromechanical DO*	<input type="checkbox"/> <input type="checkbox"/> <input type="checkbox"/> <input type="checkbox"/> <input type="checkbox"/> <input type="checkbox"/> <input type="checkbox"/> <input type="checkbox"/> <input type="checkbox"/> <input type="checkbox"/> <input type="checkbox"/> <input type="checkbox"/> <input type="checkbox"/> <input type="checkbox"/> <input type="checkbox"/> <input type="checkbox"/> <input type="checkbox"/> D B <input type="checkbox"/> <input type="checkbox"/> <input type="checkbox"/> <input type="checkbox"/> <input type="checkbox"/> <input type="checkbox"/> <input type="checkbox"/> <input type="checkbox"/>	
	48 Vdc/Vac DI, Electromechanical DO*	<input type="checkbox"/> <input type="checkbox"/> <input type="checkbox"/> <input type="checkbox"/> <input type="checkbox"/> <input type="checkbox"/> <input type="checkbox"/> <input type="checkbox"/> <input type="checkbox"/> <input type="checkbox"/> <input type="checkbox"/> <input type="checkbox"/> <input type="checkbox"/> <input type="checkbox"/> <input type="checkbox"/> <input type="checkbox"/> <input type="checkbox"/> D C <input type="checkbox"/> <input type="checkbox"/> <input type="checkbox"/> <input type="checkbox"/> <input type="checkbox"/> <input type="checkbox"/> <input type="checkbox"/> <input type="checkbox"/>	
	110 Vdc/Vac DI, Electromechanical DO*	<input type="checkbox"/> <input type="checkbox"/> <input type="checkbox"/> <input type="checkbox"/> <input type="checkbox"/> <input type="checkbox"/> <input type="checkbox"/> <input type="checkbox"/> <input type="checkbox"/> <input type="checkbox"/> <input type="checkbox"/> <input type="checkbox"/> <input type="checkbox"/> <input type="checkbox"/> <input type="checkbox"/> <input type="checkbox"/> <input type="checkbox"/> D D <input type="checkbox"/> <input type="checkbox"/> <input type="checkbox"/> <input type="checkbox"/> <input type="checkbox"/> <input type="checkbox"/> <input type="checkbox"/> <input type="checkbox"/>	
	220 Vdc/Vac DI, Electromechanical DO*	<input type="checkbox"/> <input type="checkbox"/> <input type="checkbox"/> <input type="checkbox"/> <input type="checkbox"/> <input type="checkbox"/> <input type="checkbox"/> <input type="checkbox"/> <input type="checkbox"/> <input type="checkbox"/> <input type="checkbox"/> <input type="checkbox"/> <input type="checkbox"/> <input type="checkbox"/> <input type="checkbox"/> <input type="checkbox"/> <input type="checkbox"/> D G <input type="checkbox"/> <input type="checkbox"/> <input type="checkbox"/> <input type="checkbox"/> <input type="checkbox"/> <input type="checkbox"/> <input type="checkbox"/> <input type="checkbox"/>	
	250 Vdc/Vac DI, Electromechanical DO*	<input type="checkbox"/> <input type="checkbox"/> <input type="checkbox"/> <input type="checkbox"/> <input type="checkbox"/> <input type="checkbox"/> <input type="checkbox"/> <input type="checkbox"/> <input type="checkbox"/> <input type="checkbox"/> <input type="checkbox"/> <input type="checkbox"/> <input type="checkbox"/> <input type="checkbox"/> <input type="checkbox"/> <input type="checkbox"/> <input type="checkbox"/> D H <input type="checkbox"/> <input type="checkbox"/> <input type="checkbox"/> <input type="checkbox"/> <input type="checkbox"/> <input type="checkbox"/> <input type="checkbox"/> <input type="checkbox"/>	
	8 Digital Output	Electromechanical Form A DO*	<input type="checkbox"/> <input type="checkbox"/> <input type="checkbox"/> <input type="checkbox"/> <input type="checkbox"/> <input type="checkbox"/> <input type="checkbox"/> <input type="checkbox"/> <input type="checkbox"/> <input type="checkbox"/> <input type="checkbox"/> <input type="checkbox"/> <input type="checkbox"/> <input type="checkbox"/> <input type="checkbox"/> <input type="checkbox"/> <input type="checkbox"/> 2 A <input type="checkbox"/> <input type="checkbox"/> <input type="checkbox"/> <input type="checkbox"/> <input type="checkbox"/> <input type="checkbox"/> <input type="checkbox"/> <input type="checkbox"/>
		Electromechanical Form B DO*	<input type="checkbox"/> <input type="checkbox"/> <input type="checkbox"/> <input type="checkbox"/> <input type="checkbox"/> <input type="checkbox"/> <input type="checkbox"/> <input type="checkbox"/> <input type="checkbox"/> <input type="checkbox"/> <input type="checkbox"/> <input type="checkbox"/> <input type="checkbox"/> <input type="checkbox"/> <input type="checkbox"/> <input type="checkbox"/> <input type="checkbox"/> 2 B <input type="checkbox"/> <input type="checkbox"/> <input type="checkbox"/> <input type="checkbox"/> <input type="checkbox"/> <input type="checkbox"/> <input type="checkbox"/> <input type="checkbox"/>
Electromechanical, 6 Form A DO, 2 Form B DO*		<input type="checkbox"/> <input type="checkbox"/> <input type="checkbox"/> <input type="checkbox"/> <input type="checkbox"/> <input type="checkbox"/> <input type="checkbox"/> <input type="checkbox"/> <input type="checkbox"/> <input type="checkbox"/> <input type="checkbox"/> <input type="checkbox"/> <input type="checkbox"/> <input type="checkbox"/> <input type="checkbox"/> <input type="checkbox"/> <input type="checkbox"/> 2 C <input type="checkbox"/> <input type="checkbox"/> <input type="checkbox"/> <input type="checkbox"/> <input type="checkbox"/> <input type="checkbox"/> <input type="checkbox"/> <input type="checkbox"/>	
Electromechanical, 2 Form A DO, 6 Form B DO*		<input type="checkbox"/> <input type="checkbox"/> <input type="checkbox"/> <input type="checkbox"/> <input type="checkbox"/> <input type="checkbox"/> <input type="checkbox"/> <input type="checkbox"/> <input type="checkbox"/> <input type="checkbox"/> <input type="checkbox"/> <input type="checkbox"/> <input type="checkbox"/> <input type="checkbox"/> <input type="checkbox"/> <input type="checkbox"/> <input type="checkbox"/> 2 D <input type="checkbox"/> <input type="checkbox"/> <input type="checkbox"/> <input type="checkbox"/> <input type="checkbox"/> <input type="checkbox"/> <input type="checkbox"/> <input type="checkbox"/>	
Electromechanical, 4 Form A DO, 4 Form B DO*		<input type="checkbox"/> <input type="checkbox"/> <input type="checkbox"/> <input type="checkbox"/> <input type="checkbox"/> <input type="checkbox"/> <input type="checkbox"/> <input type="checkbox"/> <input type="checkbox"/> <input type="checkbox"/> <input type="checkbox"/> <input type="checkbox"/> <input type="checkbox"/> <input type="checkbox"/> <input type="checkbox"/> <input type="checkbox"/> <input type="checkbox"/> 2 G <input type="checkbox"/> <input type="checkbox"/> <input type="checkbox"/> <input type="checkbox"/> <input type="checkbox"/> <input type="checkbox"/> <input type="checkbox"/> <input type="checkbox"/>	
8 Digital Input (SELECT 8 DI)	125 Vdc/Vac*	<input type="checkbox"/> <input type="checkbox"/> <input type="checkbox"/> <input type="checkbox"/> <input type="checkbox"/> <input type="checkbox"/> <input type="checkbox"/> <input type="checkbox"/> <input type="checkbox"/> <input type="checkbox"/> <input type="checkbox"/> <input type="checkbox"/> <input type="checkbox"/> <input type="checkbox"/> <input type="checkbox"/> <input type="checkbox"/> <input type="checkbox"/> 3 A <input type="checkbox"/> <input type="checkbox"/> <input type="checkbox"/> <input type="checkbox"/> <input type="checkbox"/> <input type="checkbox"/> <input type="checkbox"/> <input type="checkbox"/>	
	24 Vdc/Vac*	<input type="checkbox"/> <input type="checkbox"/> <input type="checkbox"/> <input type="checkbox"/> <input type="checkbox"/> <input type="checkbox"/> <input type="checkbox"/> <input type="checkbox"/> <input type="checkbox"/> <input type="checkbox"/> <input type="checkbox"/> <input type="checkbox"/> <input type="checkbox"/> <input type="checkbox"/> <input type="checkbox"/> <input type="checkbox"/> <input type="checkbox"/> 3 B <input type="checkbox"/> <input type="checkbox"/> <input type="checkbox"/> <input type="checkbox"/> <input type="checkbox"/> <input type="checkbox"/> <input type="checkbox"/> <input type="checkbox"/>	
	48 Vdc/Vac*	<input type="checkbox"/> <input type="checkbox"/> <input type="checkbox"/> <input type="checkbox"/> <input type="checkbox"/> <input type="checkbox"/> <input type="checkbox"/> <input type="checkbox"/> <input type="checkbox"/> <input type="checkbox"/> <input type="checkbox"/> <input type="checkbox"/> <input type="checkbox"/> <input type="checkbox"/> <input type="checkbox"/> <input type="checkbox"/> <input type="checkbox"/> 3 C <input type="checkbox"/> <input type="checkbox"/> <input type="checkbox"/> <input type="checkbox"/> <input type="checkbox"/> <input type="checkbox"/> <input type="checkbox"/> <input type="checkbox"/>	
	110 Vdc/Vac*	<input type="checkbox"/> <input type="checkbox"/> <input type="checkbox"/> <input type="checkbox"/> <input type="checkbox"/> <input type="checkbox"/> <input type="checkbox"/> <input type="checkbox"/> <input type="checkbox"/> <input type="checkbox"/> <input type="checkbox"/> <input type="checkbox"/> <input type="checkbox"/> <input type="checkbox"/> <input type="checkbox"/> <input type="checkbox"/> <input type="checkbox"/> 3 D <input type="checkbox"/> <input type="checkbox"/> <input type="checkbox"/> <input type="checkbox"/> <input type="checkbox"/> <input type="checkbox"/> <input type="checkbox"/> <input type="checkbox"/>	



	220 Vdc/Vac*							3	G				
	250 Vdc/Vac*							3	H				
14 Digital Input (SElect 14 DI)	125 Vdc/Vac*							4	A				
	24 Vdc/Vac*							4	B				
	48 Vdc/Vac*							4	C				
	110 Vdc/Vac*							4	D				
	220 Vdc/Vac*							4	G				
	250 Vdc/Vac*							4	H				
8 Analog Input (SElect 8 AI)	±20 mA or ±10 V Jumper Selectable*							5	X				
4 Analog Input / 4 Analog Output (SElect 4 AI / 4 AO) <sup>(2)</sup>	±20 mA or ±10 V Jumper Selectable*							6	X				
Vsync, Vbat Input and 4 Arc-Flash Detection Input (SElect 2 AVI/4 AFDI)	Vsync (300Vac), Vbat (300Vdc) Input and Arc-Flash Detection Input <sup>(3)(4)(8)*</sup>							7	0				
LEA Vsync, Vbat Input and 4 Arc-Flash Detection Input (SElect 2 AVI/4 AFDI)	LEA Vsync (8Vac), Vbat (300Vdc) Input and Arc-Flash Detection Input <sup>(3)(4)(8)*</sup>							L	0				
8 Arc-Flash Detection Input (8 AFDI)	Arc-Flash Detection Input <sup>(3)(4)*</sup>							7	7				

#### **SElect I/O Card Option - Voltages Slot Z**

No Voltage Inputs / 3-Phase AC Current Input / Neutral AC Current Input (SElect 4 ACI)									A				
3-Phase AC Voltage (300 Vac) / 3-Phase AC Current Input / Neutral AC Current Input (SElect 4 ACI / 3 AVI)*								8					
3-Phase LEA AC Voltage (8 Vac) / 3-Phase AC Current Input / Neutral AC Current Input / (SElect 4 ACI / 3 LEA AVI)*								L					

#### **SElect I/O Card Option - Currents Slot Z**

1 Amp Phase, 1 Amp Neutral									1				
1 Amp Phase, 5 Amp Neutral									2				
1 Amp Phase, 200 mA Neutral <sup>(6)</sup>									3				
5 Amp Phase, 5 Amp Neutral									5				
5 Amp Phase, 1 Amp Neutral									6				
5 Amp Phase, 200 mA Neutral <sup>(6)</sup>									7				

#### **Conformal Coat**

None														0
Conformally Coated Circuit Boards*														1

#### **Accessories**

Literature	Printed Instruction Manual <sup>(5)</sup>	P	M	7	5	1	-	0	1					
	Configurable Label Kit (2 sheet kit)*	9	2	6	0	1	3	6						

	Configurable Label Kit (25 sheet kit)*	9 2 6 0 1 3 7
SEL Cables		
	SEL-C804 Multimode Fiber-Optic Arc-Flash Detection (AFD) Sensors (configurable length)*	Please see Online MOT or contact SEL REP or CSR for ordering information.
	SEL-C814 Arc-Flash Detection (AFD) Fiber Cables and Accessories (configurable length and number of splices)*	Please see Online MOT or contact SEL REP or CSR for ordering information.
	SEL-C234 EIA-232 Serial Cable, SEL-751 to DTE Device (9-Pin Female) (configurable length)*	Please see Online MOT or contact SEL REP or CSR for ordering information.
	SEL-C222 EIA-232 Serial Cable, SEL-751 to DCE Device (25-Pin Female) (configurable length)*	Please see Online MOT or contact SEL REP or CSR for ordering information.
	SEL-C227A EIA-232 Serial Cable, SEL-751 to DTE Device (25-Pin Female) (configurable length)*	Please see Online MOT or contact SEL REP or CSR for ordering information.
	SEL-C272 EIA-232 Serial Cable, SEL-751 to SEL Communications Processor (without IRIG-B signal) (configurable length)*	Please see Online MOT or contact SEL REP or CSR for ordering information.
	SEL-C273 EIA-232 Serial Cable, SEL-751 to SEL Communications Processor (with IRIG-B signal) (configurable length)*	Please see Online MOT or contact SEL REP or CSR for ordering information.
	SEL-CA605 CAT5e, Shielded Twisted Pair (STP) Ethernet Cable (configurable length)*	Please see Online MOT or contact SEL REP or CSR for ordering information.
	SEL-C805 200 $\mu$ m Multimode Fiber-Optic Cable (configurable length)*	Please see Online MOT or contact SEL REP or CSR for ordering information.
	SEL-C807 62.5/200 $\mu$ m Multimode Fiber-Optic Cable (configurable length)*	Please see Online MOT or contact SEL REP or CSR for ordering information.
	SEL-C808 62.5/125 $\mu$ m Multimode Fiber-Optic Cable (configurable length)*	Please see Online MOT or contact SEL REP or CSR for ordering information.

\* Additional Cost

(1) Only one (1) 3 DI/4 DO / 1 AO card per chassis.

(2) Only one (1) 4 AI / 4 AO card per chassis.

(3) For Arc-Flash Detection Point Sensors, Bare-Fiber Sensors, or Cable Accessories, see SEL-C804 Multimode Fiber-Optic Arc-Flash Detection (AFD) Sensors and C814 Arc-Flash Detection (AFD) Fiber Cables and Accessories.

(4) In order to achieve the 2-5 ms operate times for Arc-Flash Protection it is required that the SEL-751 include a 4 DI/4 DO Fast High Current Interrupting Card.

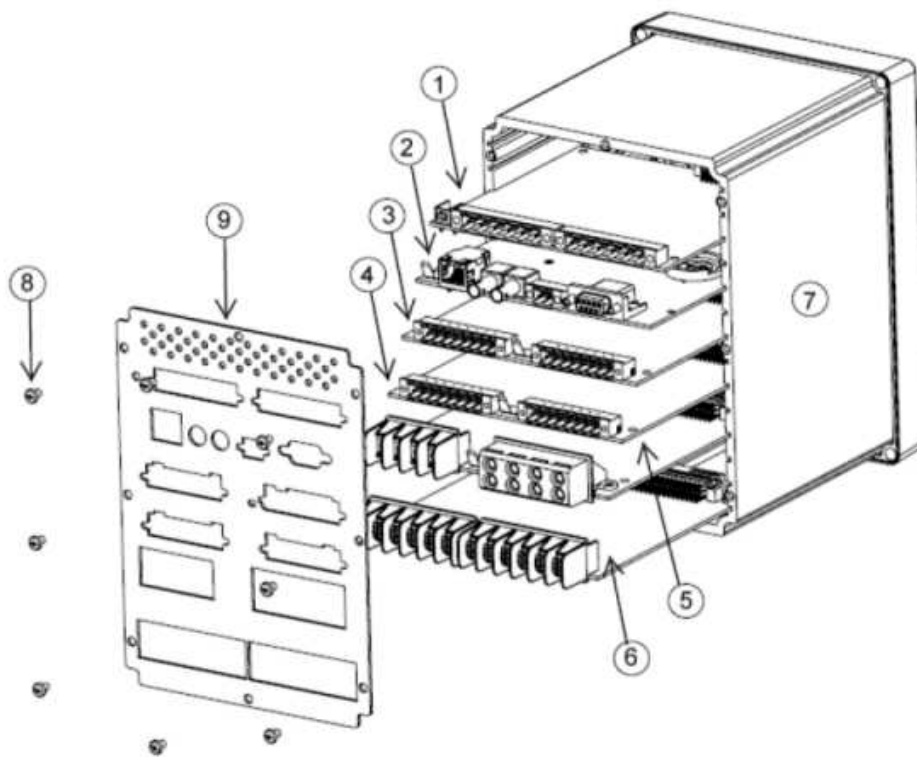
(5) One complimentary printed instruction manual is available upon request with each product purchased.

- (6) Non-directional relays can order this CT for SEF protection.
- (7) Arc-sense technology for HIF detection is only applicable for low-impedance grounded systems.
- (8) Requires 4ACI/3AVI Card in Slot Z.

**NOTES:**

- Base unit includes slots A, B (EIA-232), Z, HMI, and Front EIA-232 Port.
- Order 2 AVI / 4 AFDI Card for Vsync, VBat, Arc Flash Detection Input.
- The protocols SNMP and Modbus TCP are included in the STANDARD offering with Ethernet option.
- DNP3 LAN/WAN are included with DNP3 and Ethernet option.
- Download acSELEATOR QuickSet SEL-5030 software for free at <https://www.selinc.com/software/solutions/>. acSELEATOR QuickSet on CD (503001WX4) is available upon request.
- The SEL-751 can be ordered with a CD manual.
- A configuration kit is provided for the front panel configurable labels (packaged in the shipping box). For additional kits, order SEL part number 9260136 (2 sheet kit) or 9260137 (25 sheet kit).
- For additional remote I/O capability, order SEL-2505 Remote I/O Module that is SEL-2812 compatible (ST option only).
- Order external AC powered RTD module SEL-2600A or external DC powered RTD module SEL-2600D using WI-5997 to interface remote external resistive temperature devices (RTD) or use internal RTD inputs option in Slot D.
- The SEL-751 option cards are orderable separately for field installation. Use WI-12625 and contact your SEL representative to order option cards.
- For relay wire termination kits, please see Application Note AN2014-08 on the SEL website or contact SEL REP or CSR for ordering information.
- For SEL-751 Mounting Accessories including adapter plates, dust protectors, etc go to <https://selinc.com/applications/mountingselector/>.
- All Digital Outputs are Form-A unless noted otherwise.

**Chassis Card Slot Configuration Example**



- |   |                                |
|---|--------------------------------|
| ① SELECT Power Supply Card with I/O (Slot A)        | ⑥ SELECT ACI/AVI Card (Slot Z) |
| ② SELECT Processor and Communications Card (Slot B) | ⑦ Device Case                  |
| ③ SELECT I/O Expansion Card (Slot C)                | ⑧ Rear Panel Mounting Screws   |
| ④ SELECT I/O Expansion Card (Slot D)                | ⑨ Rear Panel                   |
| ⑤ SELECT I/O Expansion Card (Slot E)                |                                |

**Making Electric Power Safer, More Reliable, and More Economical®**

**SEL** SCHWEITZER ENGINEERING LABORATORIES, INC.

2350 NE Hopkins Court - Pullman, WA 99163 USA  
Phone: +1.509.332.1890 - Fax: +1.509.332.7990