

# SEL-9103

Mounting Bezel for Dust  
and Splash Protection (IP54)



2350 NE Hopkins Court • Pullman, WA 99163-5603 USA  
Phone: (509) 332-1890 • Fax: (509) 332-7990  
Internet: www.selinc.com • E-mail: info@selinc.com

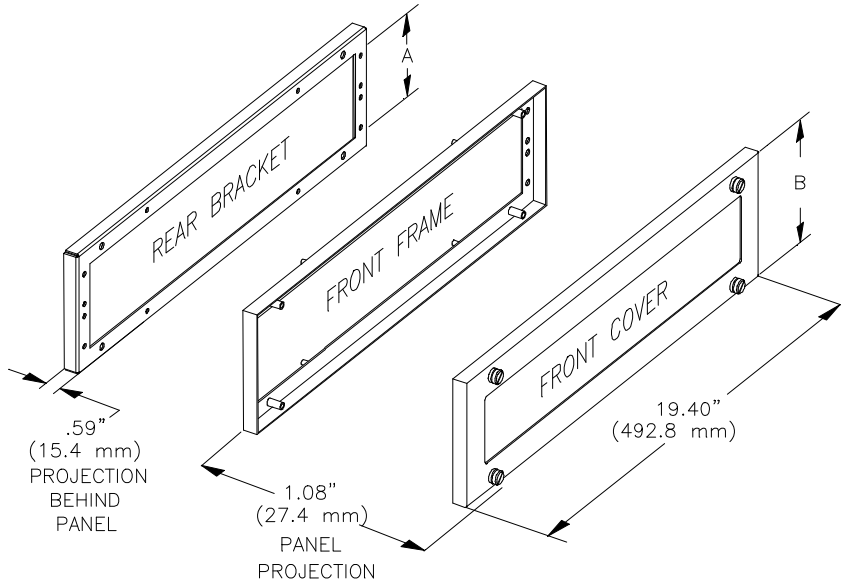
## Ordering Information\*\*\*

Choose from the following options.  
Enter option codes to complete the part number.

9 1 0 3  1

Size Option	Dimension A	Dimension B		
Fits 2U Devices	3.50" (88.0 mm)	5.20" (132.1 mm)		2
Fits 3U Devices	5.25" (133.4 mm)	6.95" (176.5 mm)		3

\*\*\* = All mounting hardware is included.



DWG: DS9103